

Ziegler

Redefine Innovative Metering

Technical Datasheet

3PH SERIES

CURRENT TRANSFORMER

3PH SERIES

CURRENT TRANSFORMER

3PH SERIES

The 3 in 1 type CTs enable easy installation with reference to MCB and MCCBs used in the panel. These CTs are categorized in 3 variants as specified below. Some variants of ZIS provides RJ12 Connections reducing the wiring efforts while connecting it with meters and on CT terminals.

Product Features

- Wide range of system current ratings
- Primary Current ratings 60A to 800A
- VA ratings available from 1VA to 5VA
- Mounting options : Wall mounting, Bus bar mounting or Cable Mounting
Din Rail Mounting (optional)
- Class 0.5, 1, 3
- Secondary Current ratings 5A & 1A
- ISF value : 5, 10
- Transparent terminal cover for ZIR Series provides IP 20 Protection to terminals



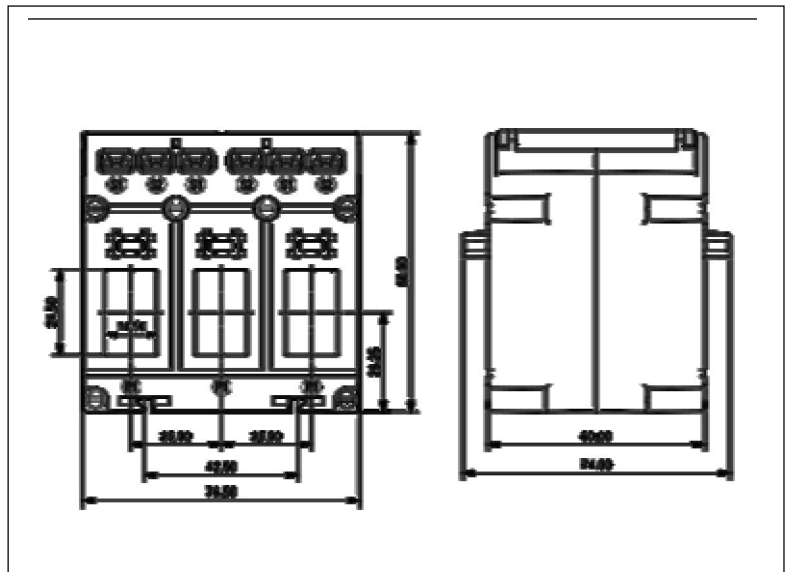
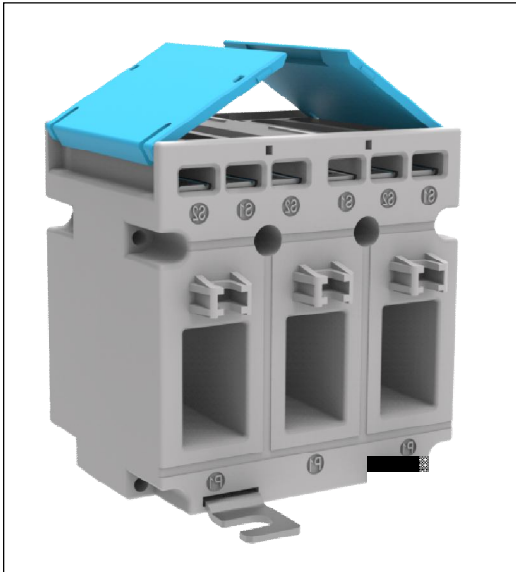
General Specification

Applicable Standard	IEC 61869 - 1/2
Case	10% Glass filled Polycarbonate, Flame retardant grades classified UL 94V-0.
Connection	Normal Wire connection and RJ 12 connection.
Insulation Class	E (120°C)
Maximum Operating Voltage (Um)	0.72 kV Maximum.
Test Voltage	3 kV, 50 Hz for 1 Minute.
Operating Frequency	50 Hz
Rated Primary Rating	40A to 800A
Rated Secondary Output	5A, 1A (100mA for RJ 12 CT)
Rated Burden	0.25 to 5VA
Class of Accuracy	0.5, 1, 3
ISF Value	5, 10
Operating Temperature	-25 ° C to +40° C
Storage Temperature	-50 ° C to +80° C
Thermal Short Circuit Rated Current (I_{th})	40 X I _n
Dynamic Short Circuit Current (I_{dyn})	2.5 X I _{th}
Thermal Nominal Continuous Rated Current (I_{cth})	1.2 X I _n

3PH SERIES

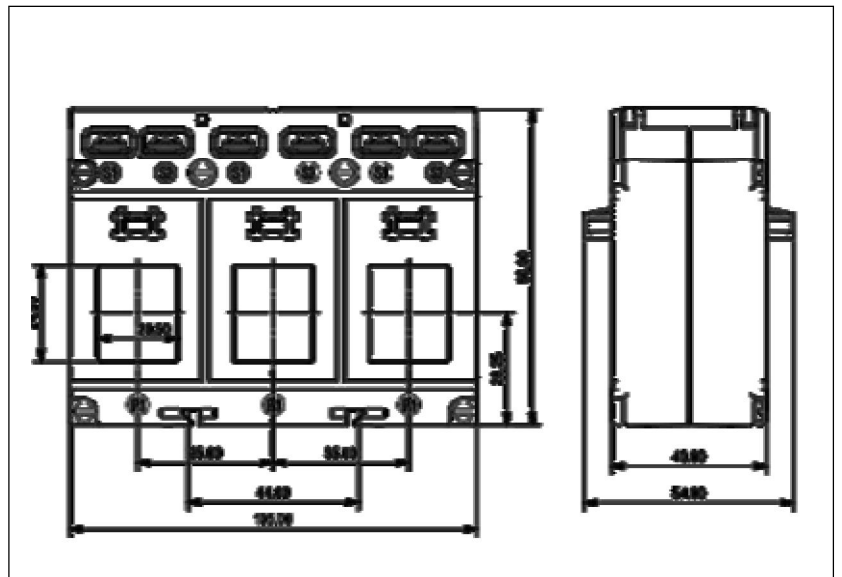
CURRENT TRANSFORMER

ZIEGLER XMER 3PH 75-15 (60)



CT RATIO	CLASS 0.5	CLASS 1	CLASS 3
100 / 5A	-	1 VA	2.5 VA
125 / 5A	-	1.5 VA	2.5 VA
150 / 5A	1.5 VA	1.5 VA	2.5 VA
160 / 5A	1.5 VA	1.5 VA	2.5 VA

ZIEGLER XMER 3PH 105-21 (40)

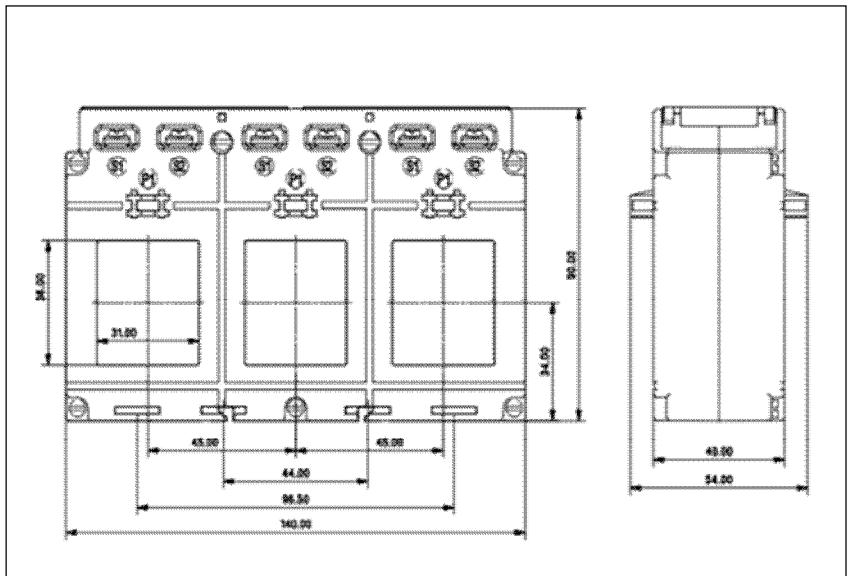


CT RATIO	CLASS 0.5	CLASS 1	CLASS 3
100 / 5A	-	1 VA	2 VA
125 / 5A	-	1.5 VA	2.5 VA
150 / 5A	-	1.5 VA	2.5 VA
160 / 5A	1.5 VA	1.5 VA	2.5 VA
200 / 5A	1.5 VA	1.5 VA	2.5 VA
250 / 5A	1.5 VA	1.5 VA	2.5 VA

3PH SERIES

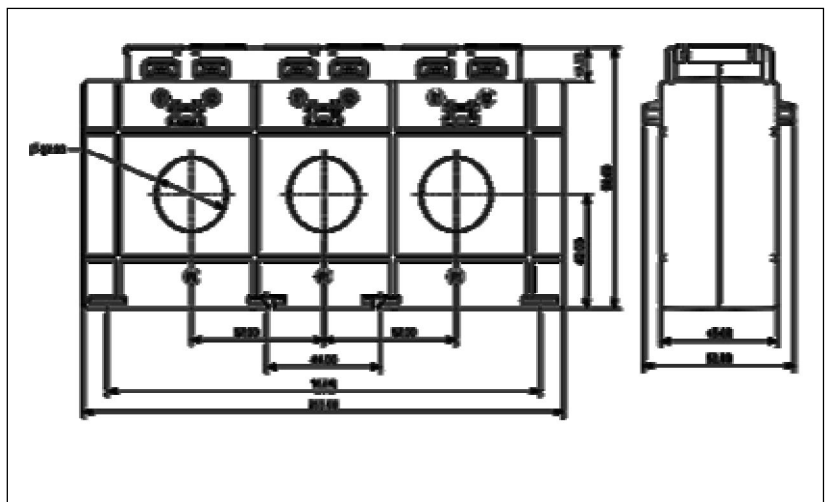
CURRENT TRANSFORMER

ZIEGLER XMER 3PH 140-31 (40)



CT RATIO	CLASS 0.5	CLASS 1	CLASS 3
250 / 5A	1.5 VA	1.5 VA	2.5 VA
300 / 5A	2.5 VA	2.5 VA	3.75 VA
400 / 5A	2.5 VA	2.5 VA	3.75 VA
500 / 5A	2.5 VA	2.5 VA	3.75 VA

ZIEGLER XMER 3PH 185-27 (45)

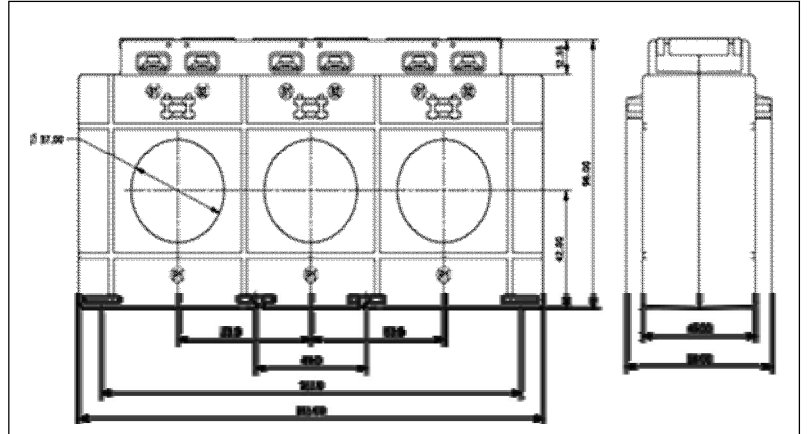
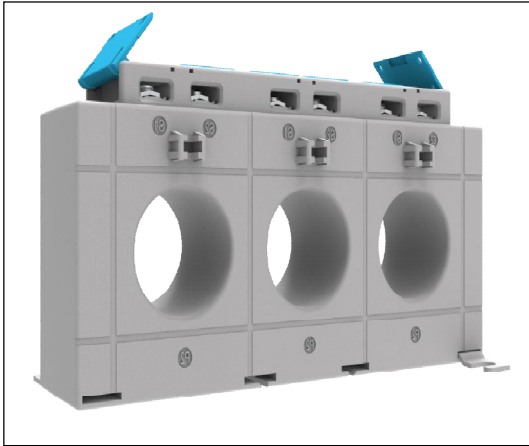


CT RATIO	CLASS 1	CLASS 3
40 / 5A	-	1.25 VA
60 / 5A	-	1.5 VA
80 / 5A	-	1.5 VA
100 / 5A	1.5 VA	1.5 VA
150 / 5A	1.5 VA	1.5 VA
200 / 5A	2.5 VA	2.5 VA
250 / 5A	2.5 VA	2.5 VA
300 / 5A	5 VA	5 VA
400 / 5A	5 VA	5 VA
500 / 5A	5 VA	5 VA

3PH SERIES

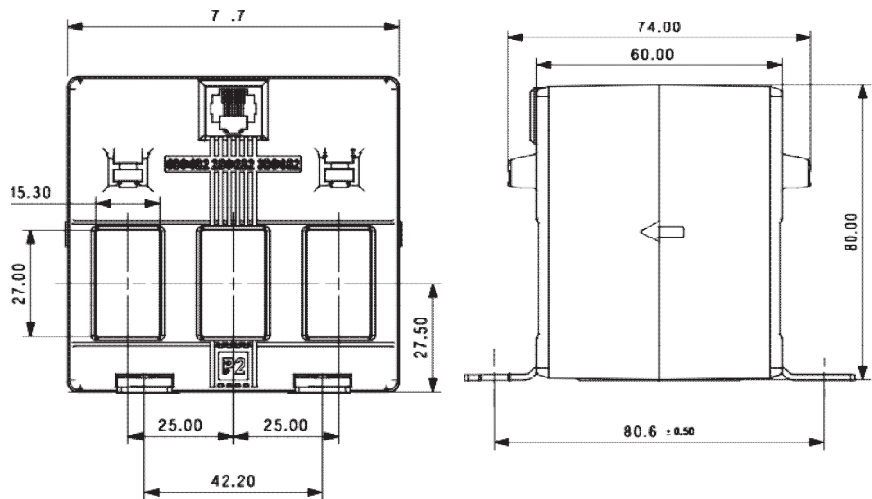
CURRENT TRANSFORMER

ZIEGLER XMER 3PH 185-37 (45)



CT RATIO	CLASS 1	CLASS 3
300 / 5A	2.5 VA	2.5 VA
400 / 5A	5 VA	5 VA
500 / 5A	5 VA	5 VA
600 / 5A	5 VA	5 VA
800 / 5A	5 VA	5 VA

ZIS 12.75 RJ



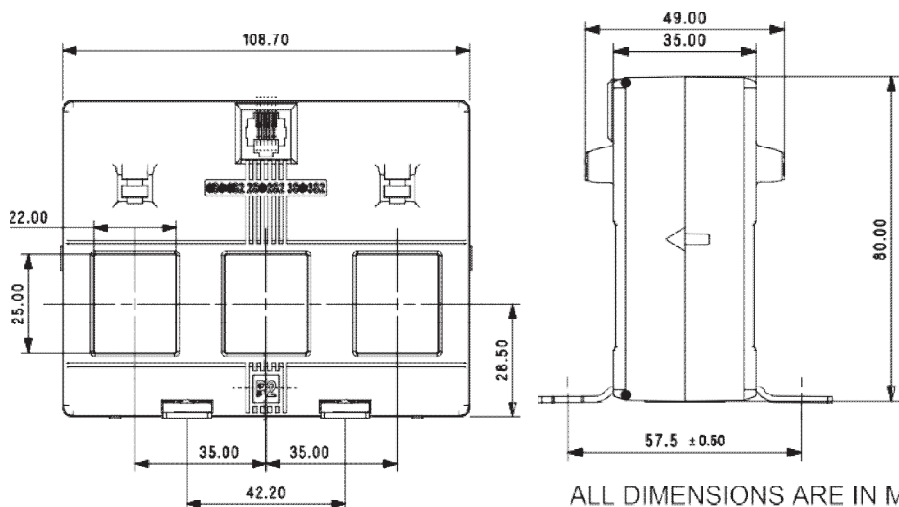
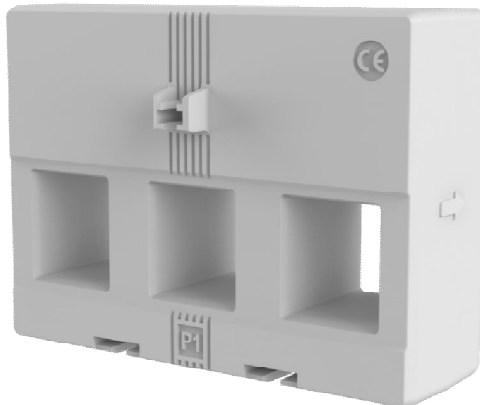
ALL DIMENSIONS ARE IN MM

Primary Current	Secondary Current	RJ 12 - 75
		Accuracy
60 A	0.1 A	1 0.25 VA
100 A	0.1 A	0.25 VA
125 A	0.1 A	0.25 VA
160 A	0.1 A	0.25 VA

3PH SERIES

CURRENT TRANSFORMER

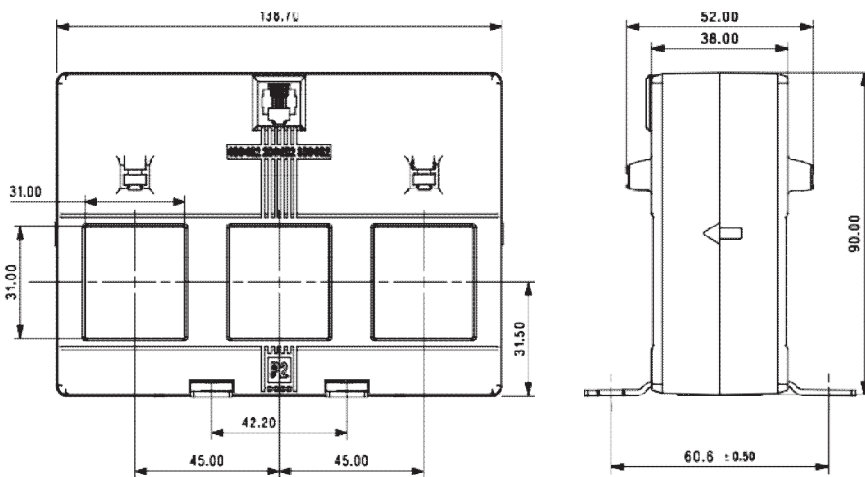
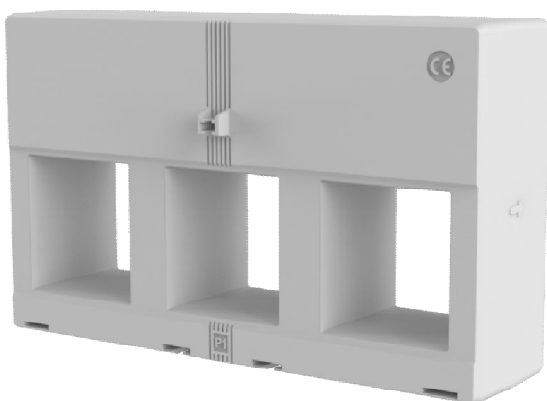
ZIS 12.10RJ



ALL DIMENSIONS ARE IN MM

Primary Current	Secondary Current	RJ 12 - 105	
		Accuracy	
60 A	0.1 A	0.25 VA	1
125 A	0.1 A	0.35 VA	
160 A	0.1 A	0.5 VA	
250A	0.1 A	0.5VA	

ZIS 12.14



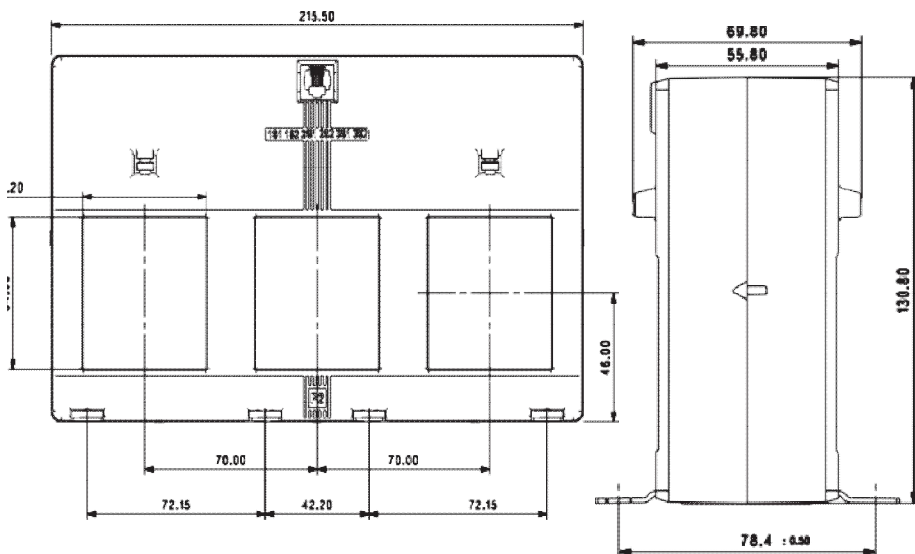
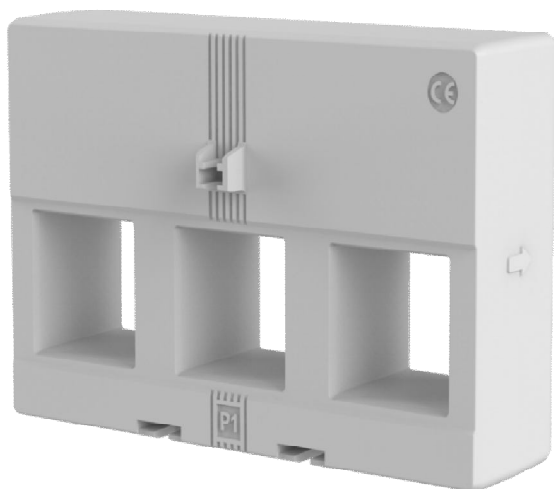
ALL DIMENSIONS ARE IN MM

Primary Current	Secondary Current	RJ 12 - 140	
		Accuracy	
250 A	0.1 A	0.25 VA	1
400 A	0.1 A	0.25 VA	
630 A	0.1 A	0.25 VA	

3PH SERIES

CURRENT TRANSFORMER

ZIS 12-21



ALL DIMENSIONS ARE IN MM

Primary Current	Secondary Current	RJ 12 - 215
		Accuracy
		1
750 A	0.1 A	0.5 VA
800 A	0.1 A	0.5 VA

Ordering Example:- 3Ph 105/21 250/5A CT Class 1.

Ziegler

Redefine Innovative Metering

Ziegler Instrumentation UK Ltd.

Central Buildings, Woodland close old woods Trading Estate, Torquay Devon, TQ2 7BB, United Kingdom
+441803 616 800 | info@ziegler-instrument.com | ziegler-instrument.com