

Ziegler

Redefine Innovative Metering

Technical Datasheet

NANO 3 PHASE CT

CURRENT TRANSFORMER

NANO 3 PHASE METERING CT

CURRENT TRANSFORMER

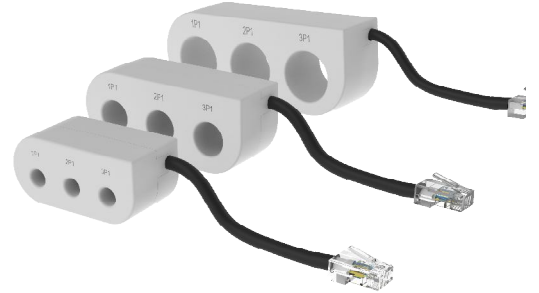
NANO 3 PHASE CT

Ziegler Nano CT is a very reliable, efficient and robust current transformer for Measurement of AC current. It provides 100mA AC output (with RJ 12 and without RJ 12). It can be used in

- Circuitbreakers.

Product Features

- Measurement of AC current for frequency 50/60Hz Linear scale.
- High electric isolation between primary conductor and output.
- Easy and safe electrical connection. Knife edge pointer.
- Primary rated current 63A, 125A and 250A AC.
- Secondary Current 100mA for both CT without RJ and with RJ
- High system voltage.
- Accuracy Class 0.5.
- 1500 mm long Secondary Cable for 63A, 125A CT & for 250A CT Cable length is 2meter.



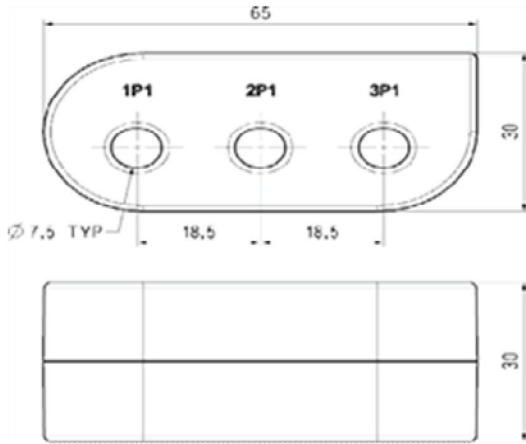
Technical Data

Rated Primary current	63A, 125A and 250A AC
Frequency range	50/60 Hz
Rated secondary current	100mA AC
Burden	0.1VA
Accuracy Class	0.5
Max. operating voltage U_M	0.72kV, U
Applicable Standard:	IEC 61869-1 & IEC 61869-2
Thermal short circuit current	$60 I_{th}$
Dynamic Current	$2.5 I_{th}$
Insulation Class / Ingress Protection	E / IP 20
Thermal Class	B
Operating temperature:	$-25^{\circ} C < T_U < +60^{\circ} C$, 0...95% rH, without condensation
Storage temperature:	$-40^{\circ} C < T_L < +90^{\circ} C$

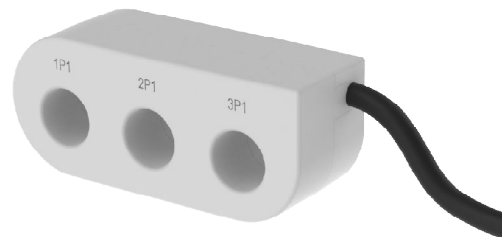
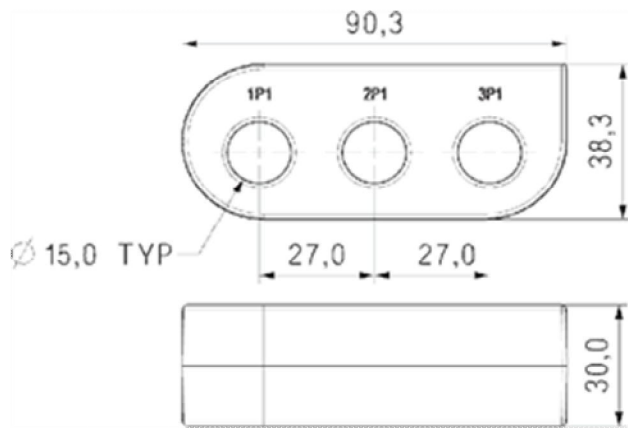
NANO 3 PHASE METERING CT

CURRENT TRANSFORMER

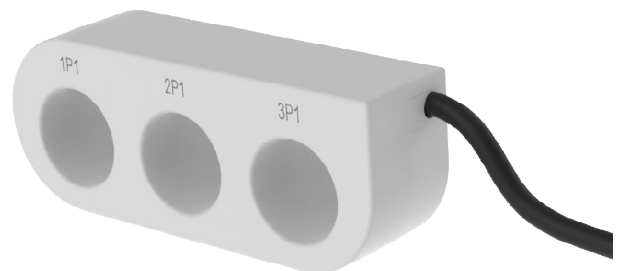
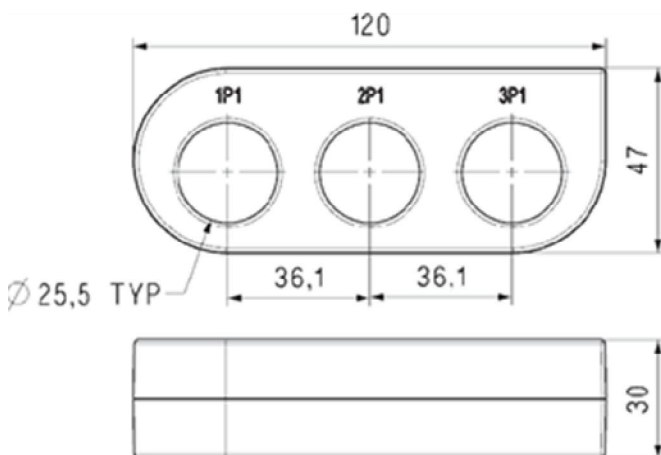
NANO 3 PHASE CT MODELS



X308:63A



X306:125A

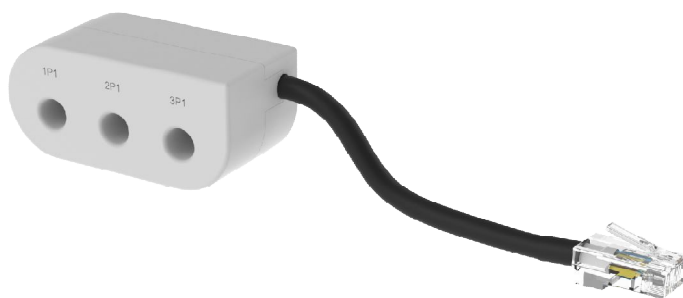
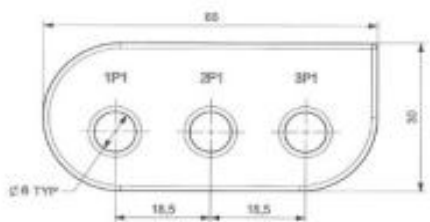


X307:250A

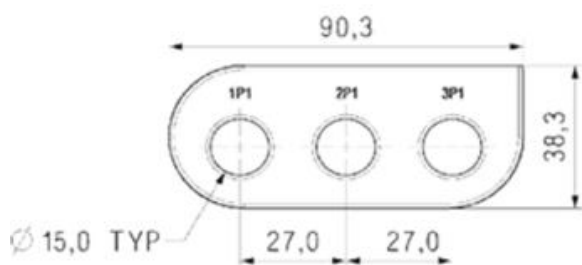
Nano CT Wire Colour code- GreyPink- 1S1
Green White- 2S1
Red Blue - 3S1
Brown Green- Com (1S2,2S2,3S2)

NANO 3 PHASE METERING CT

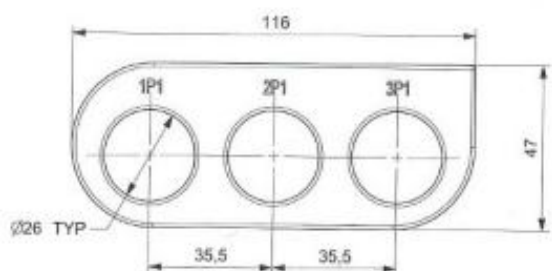
CURRENT TRANSFORMER



X308:63A RJ



X306:125A RJ



X307:250A RJ

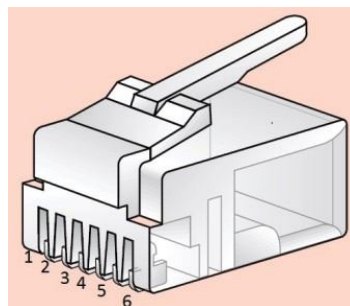
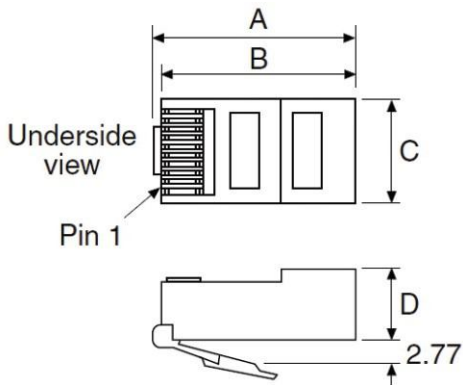
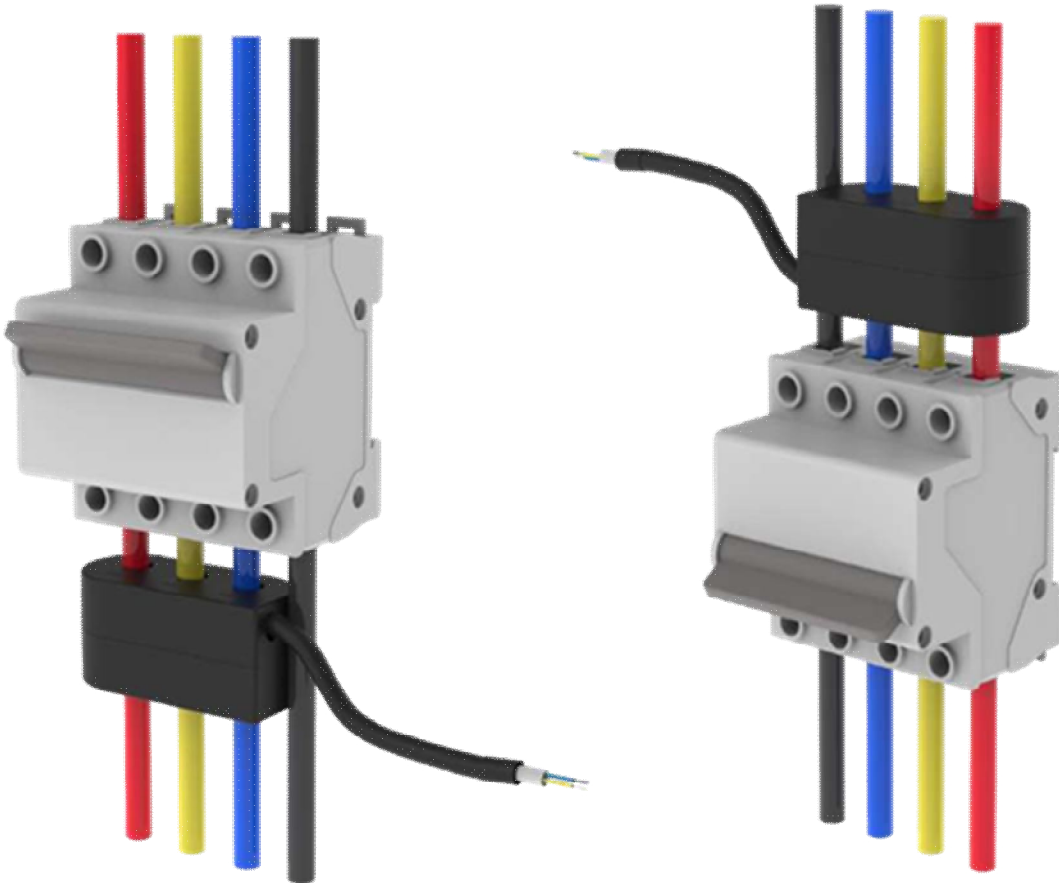
NANO 3 PHASE METERING CT

CURRENT TRANSFORMER

Mounting / Installation of 3 Phase Nano CT

Installation in confined spaces, utilizing the space above the circuit breakers and earth leakage protection.

In installations that allow the power supply to be shut down for the installation of transformers



PIN CONNECTION	1	2	3	4	5	6
Meter side	3S2	3S1	2S2	2S1	1S2	1S1
CT Side	1S1	1S2	2S1	2S2	3S1	3S2

NANO 3 PHASE METERING CT

CURRENT TRANSFORMER

ORDERING INFORMATION

X30X	XXX	XX	X	X	X	X	XX	XX
X306 X307 X308								
PRIMARY CURRENT								
60 A	63							
125 A	125							
250 A	250							
SECONDARY								
100 mA AC		10						
BURDEN								
0.1 VA			1					
ACCURACY CLASS								
0.5				1				
COLOR								
BLACK					B			
GREY					G			
COMPANY CODE								
ZIEGLER						Z		
OTHER						O	00	
CUSTOMER SPECIFIC								
RESERVED								00

Sr. No.	Ordering code	Description
1	X308-0631011GZ0000	CTB 3PH 65/8 63/100mA,0.1/0.5
2	X306-1251011GZ0000	CTB 3PH 90/15 125/100mA,0.1/0.5
3	X307-2501011GZ0000	CTB 3PH 116/26 250/100mA,0.1/0.5

NANO 3 PHASE METERING CT

CURRENT TRANSFORMER

ORDERING INFORMATION for RJ 12

Product Code	X30X-	XXX	X	X	X	X	X	X	X	X
Type	RJ12-65 63 A	X308								
	RJ12-90 125A	X306								
	RJ12-116 250A	X307								
Primary Current	63 A	063								
	125A	125								
	250A	250								
Secondary Current	100 mA		10							
VA	0.1 VA 0.5			1						
Accuracy Class	Black Gray				1					
Colour	Ziegler						B			
	Other						G			
Company Code								R		
								L		
Reserved									RJ	
CustomerSpecific										00

Sr.No	Description
1	63/100 mA, 0.1 VA, 0.5 CL, Black, Ziegler, RJ-12
2	125/100 mA, 0.1 VA, 0.5 CL, Gray, Other, RJ-12
3	250/100 mA, 0.1 VA, 0.5 CL, Gray, Ziegler, RJ-12

Ziegler

Redefine Innovative Metering

Ziegler Instrumentation UK Ltd.

Central Buildings, Woodland close old woods Trading Estate, Torquay Devon, TQ2 7BB, United Kingdom
+441803 616 800 | info@ziegler-instrument.com | ziegler-instrument.com