

# Ziegler

Redefine Innovative Metering

# Technical Datasheet

---

SQUARE TYPE WINDOW CT

---

CURRENT TRANSFORMER

# SQUARE TYPE WINDOW CT

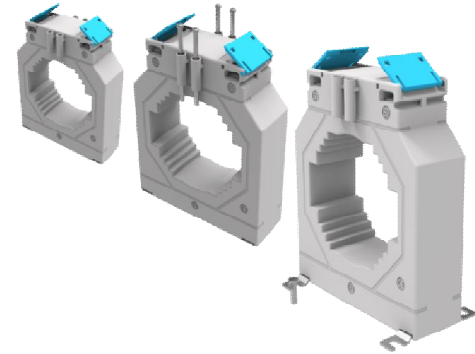
## CURRENT TRANSFORMER

### SQUARE TYPE WINDOW CT

Square type Bus bar Current Transformers are designed to measure currents from 30A to 7500A. A range of Ziegler Square type bus bar current transformers offer wide range of system current ratings, apertures, case widths and bus bar sizes to suit every application. (Refer below table). Wound Primary Current Transformers are having in-built Secondary and Primary winding. There are four terminals - P1 & P2 and S1 & S2.

#### Product Features

- Wide range of system current ratings
- Primary Current ratings 30A to 7500A
- VA ratings available from 1VA to 100VA
- Dual secondary connection facility giving access from both sides of transformers
- Mounting options : Wall mounting, Bus bar mounting\*, DIN Rail mounting
- Available in 31 different sizes : Class 0.2S, 0.2, 0.5S, 0.5 & 1
- Secondary Current ratings 5A & 1A
- ISF value : 5, 10, 15
- Transparent terminal cover for various sizes : 74 series, 86 series, 104 series & 140 series



#### General Specification

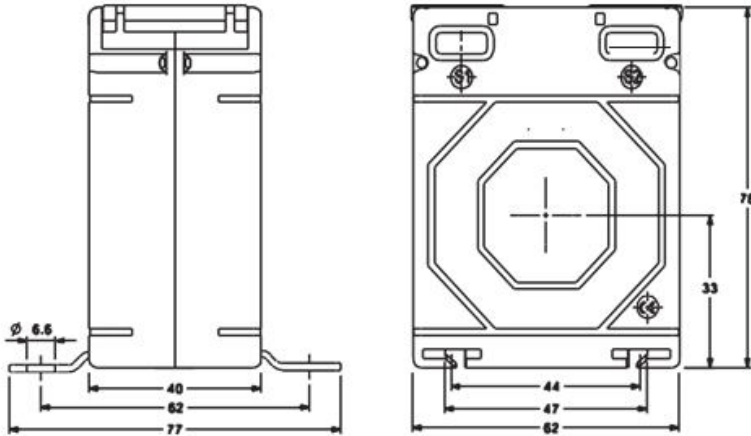
<b>Applicable standard :-</b>	IEC 61869-1 & 2
<b>Case :-</b>	10% Glass filled polycarbonate, flame retardant grades classified UL 94V-0
<b>Insulation class :-</b>	E (120°C max)
<b>Test voltage :-</b>	For Ring (Window) type CT : 4KV 50/60 Hz for 1 min (except for ZIS 5(C) CT and ZIS 5(D) CT type where test voltage is 3KV 50/60 Hz for 1 min)
<b>Operating frequency :-</b>	50/60Hz
<b>Rated Primary current :-</b>	1A to 7500A
<b>Rated secondary current :-</b>	5A (optional 1A)
<b>Continuous current :-</b>	1.2X Rated current
<b>Rated system voltage :-</b>	0.72/3KV
<b>Operating temperature range:-</b>	-20 to +45°C
<b>Storage temperature range:-</b>	-50 to +80°C
<b>Accuracy Class</b>	0.5, 1
<b>Thermal short circuit current (<math>I_{th}</math>):-</b>	40xI <sub>n</sub> for Wound type CT and 60xI <sub>n</sub> for Bus Bar type CT
<b>Dynamic short circuit current (<math>I_{dyn}</math>):-</b>	2.5xI <sub>th</sub>
<b>Instrument security factor (FS): -</b>	2.5, 5, 10

# SQUARE TYPE WINDOW CT

## CURRENT TRANSFORMER

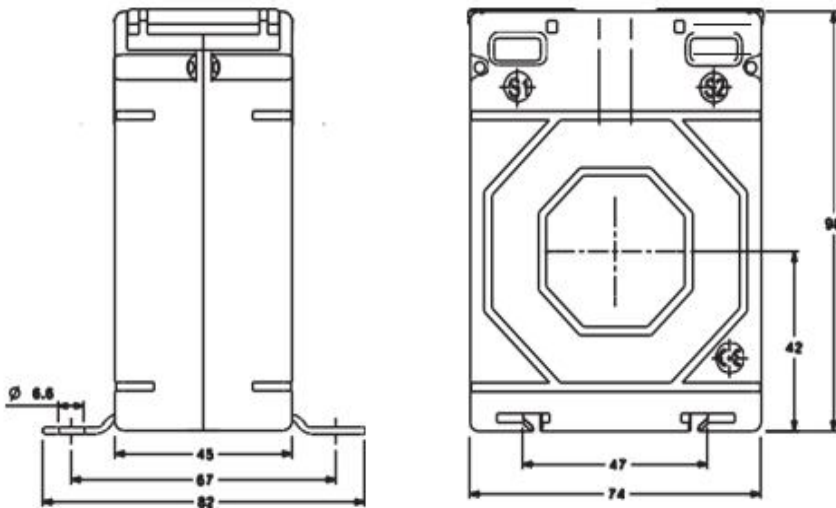
### ZIEGLERWOUND PRIMARYSERIES

#### ZIS 6.WPB



Primary Current	ZIS 6.WPB		
	Accuracy		
	0.2	0.5	1.0
1A	1VA	2.5VA	5VA
2.5A	1VA	2.5VA	5VA
5A	1VA	2.5VA	5VA
7.5A	1VA	2.5VA	5VA
10A	1VA	2.5VA	5VA
15A	1VA	2.5VA	5VA
20A	1VA	2.5VA	5VA
25A	1VA	2.5VA	5VA
30A	1VA	2.5VA	5VA

#### ZIS 7.WPB



Primary Current	ZIS 7.WPB		
	Accuracy		
	0.2	0.5	1.0
1A	1.5VA	5VA	10VA
2.5A	1.5VA	5VA	10VA
5A	1.5VA	5VA	10VA
7.5A	1.5VA	5VA	10VA
10A	1.5VA	5VA	10VA
15A	1.5VA	5VA	10VA
20A	1.5VA	5VA	10VA
25A	1.5VA	5VA	10VA
30A	1.5VA	5VA	10VA
40A	1.5VA	5VA	10VA
50A	1.5VA	5VA	10VA
60A	1.5VA	5VA	10VA

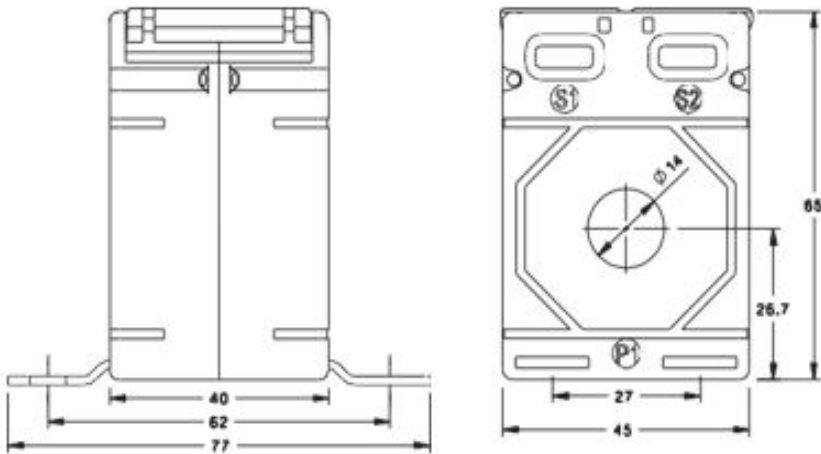
### ZIEGLER WINDOW 45 SERIES

#### ZIS 4.14B

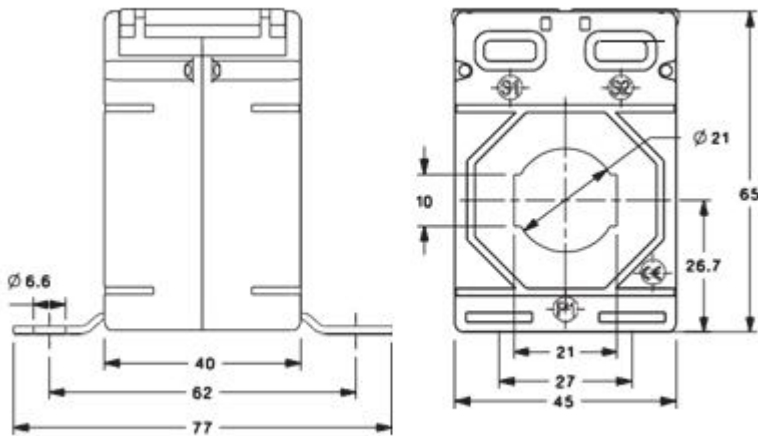
Primary Current	ZIS 4.14 B	
	Accuracy	
	0.5	1
30A	-	1VA
40A	-	1VA
50A	-	1.5VA
60A	-	1.5VA
75A	-	2.5VA
80A	1.5VA	2.5VA
100A	1.5VA	3.75VA
120A	1.5VA	3.75VA
125A	2.5VA	3.75VA
150A	2.5VA	5VA
200A	3.75VA	7.5VA
250A	5VA	7.5VA
300A	5VA	10VA

# SQUARE TYPE WINDOW CT

## CURRENT TRANSFORMER



### ZIS 4.21B



Primary Current	ZIS 4.21 B	
	Accuracy	
	0.5	1.0
50A	-	1.5VA
60A	-	1.5VA
75A	-	2.5VA
80A	1VA	2.5VA
100A	1.5VA	3.75VA
120A	1.5VA	3.75VA
125A	2.5VA	3.75VA
150A	2.5VA	5VA
200A	3.75VA	5VA
250A	5VA	5VA
300A	5VA	5VA
400A	5VA	5VA

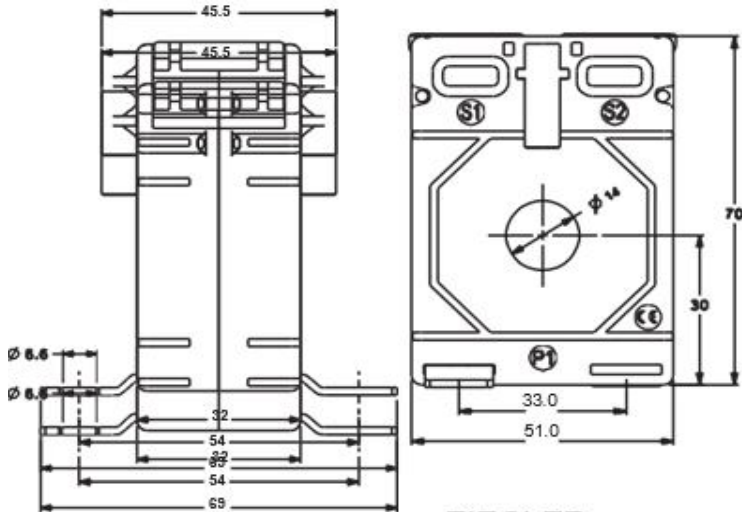
## ZIEGLER WINDOW 50/14 [30], 50/21 [30] and 50/30 30SERIES

### ZIS 5.14A

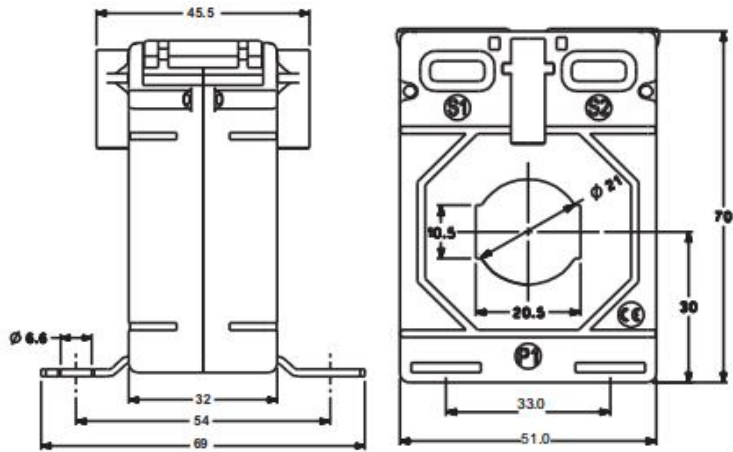
Primary Current	ZIS 5.14A	
	Accuracy	
	0.5	1.0
40A	-	1VA
50A	-	1.5VA
60A	-	1.5VA
75A	-	1.5VA
80A	-	1.5VA
100A	2.5VA	3.75VA
120A	2.5VA	3.75VA
125A	2.5VA	3.75VA
150A	3.75VA	5VA
200A	3.75VA	5VA
250A	5VA	7.5VA
300A	7.5VA	7.5VA

# SQUARE TYPE WINDOW CT

## CURRENT TRANSFORMER

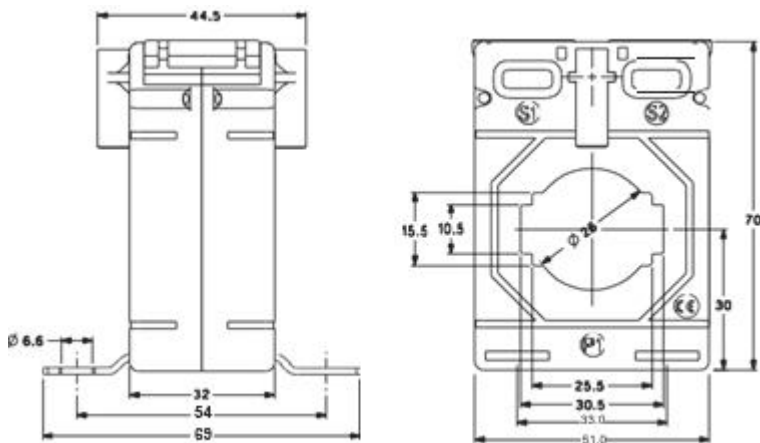


### ZIS 5.21A



Primary Current	ZIS 5.21A	
	Accuracy	
	0.5	1.0
50A	-	1VA
60A	-	1VA
75A	-	1.5VA
80A	1VA	2.5VA
100A	1.5VA	2.5VA
120A	2.5VA	2.5VA
125A	2.5VA	3.75VA
150A	2.5VA	5VA
200A	3.75VA	5VA
250A	5VA	5VA
300A	5VA	7.5VA
400A	5VA	7.5VA

### ZIS 5.30A



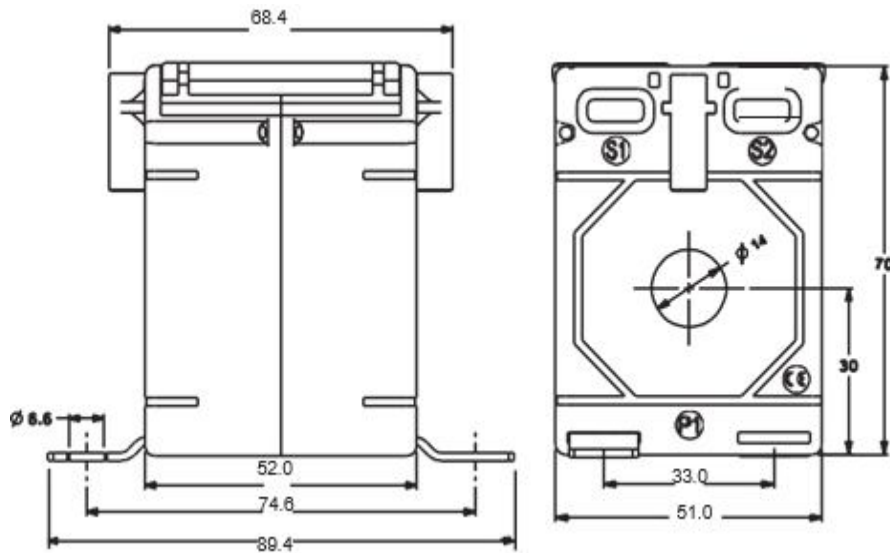
Primary Current	ZIS 5.30A	
	Accuracy	
	0.5	1.0
75A	-	1VA
80A	-	1.5VA
100A	1VA	2.5VA
120A	1VA	2.5VA
125A	1VA	2.5VA
150A	2.5VA	3.75VA
200A	2.5VA	5VA
250A	5VA	5VA
300A	5VA	5VA
400A	5VA	6.25VA
500A	5VA	6.25VA
600A	5VA	7.5VA

# SQUARE TYPE WINDOW CT

## CURRENT TRANSFORMER

### ZIEGLER WINDOW 50/14 [50], 50/21 [50] and 50/30 [50] SERIES

#### ZIS 5.14D



Primary Current	ZIS 5.14D	
	Accuracy	
	0.5	1.0
30A	-	1VA
40A	-	1VA
50A	1.5VA	1.5VA
60A	1.5VA	1.5VA
75A	2.5VA	5VA
80A	2.5VA	5VA
100A	3.75VA	5VA
120A	3.75VA	5VA
125A	3.75VA	5VA
150A	5VA	7.5VA
200A	7.5VA	10VA
250A	10VA	12.5VA
300A	10VA	12.5VA

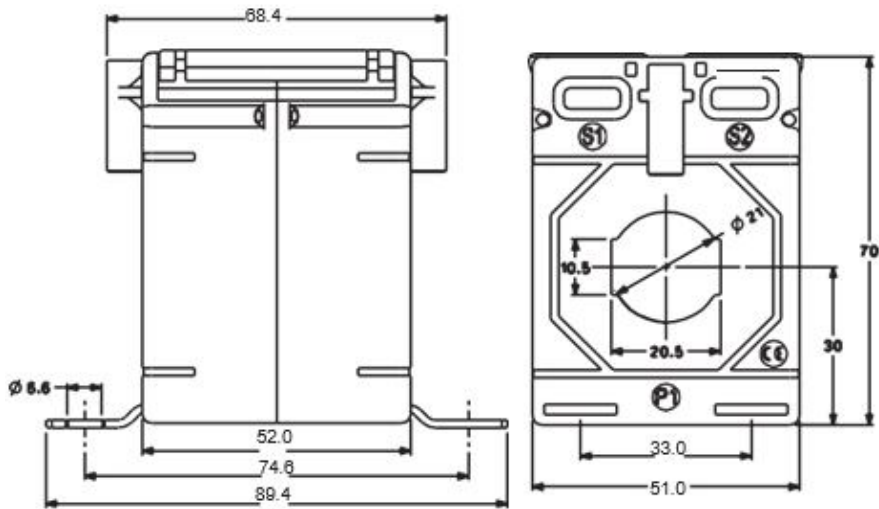
#### ZIS 5.21D

Primary Current	ZIS 5.21 D	
	Accuracy	
	0.5	1.0
50A	1VA	2.5VA
60A	1VA	3.75VA
75A	1VA	3.75VA
80A	2.5VA	5VA
100A	2.5VA	5VA
120A	3.75VA	5VA
125A	5VA	5VA
150A	5VA	10VA
200A	10VA	10VA
250A	10VA	15VA
300A	7.5VA	12.5VA

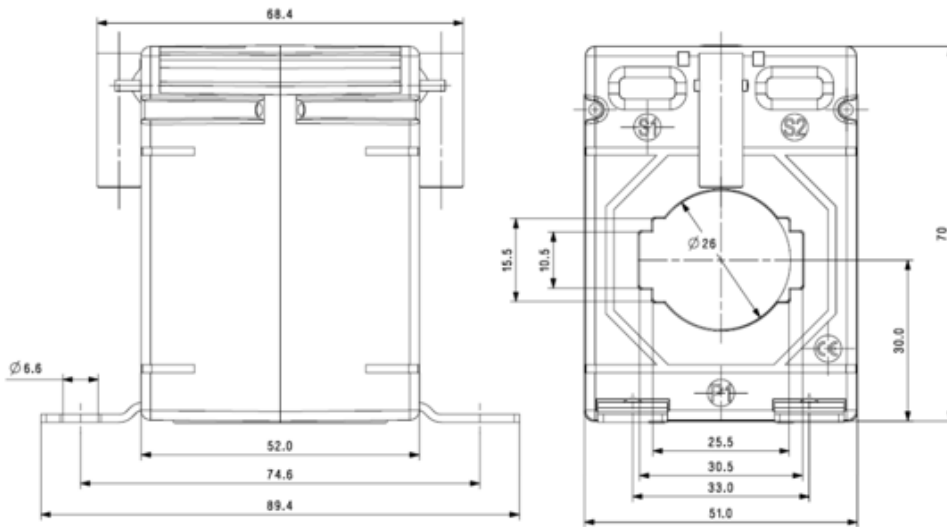
# SQUARE TYPE WINDOW CT

## CURRENT TRANSFORMER

400A	10VA	15VA
------	------	------



## ZIS 5.30D



Primary Current	ZIS 5.30D	
	Accuracy	
	0.5	1.0
50A	-	1.5VA
60A	-	1.5VA
75A	-	2.5VA
80A	-	2.5VA
100A		3.75VA
120A	2.5VA	5VA
125A	2.5VA	5VA
150A	5VA	5VA
200A	5VA	7.5VA
250A	5VA	10VA
300A	5VA	10VA
400A	10VA	12.5VA
500A	10VA	12.5VA
600A	10VA	15VA

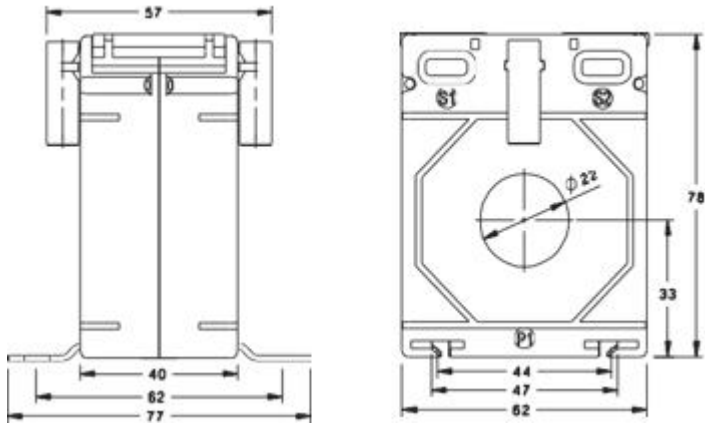
Primary Current	ZIS 6.22B			
	Accuracy			
	0.2S/0.5S	0.2	0.5	1.0

# SQUARE TYPE WINDOW CT

## CURRENT TRANSFORMER

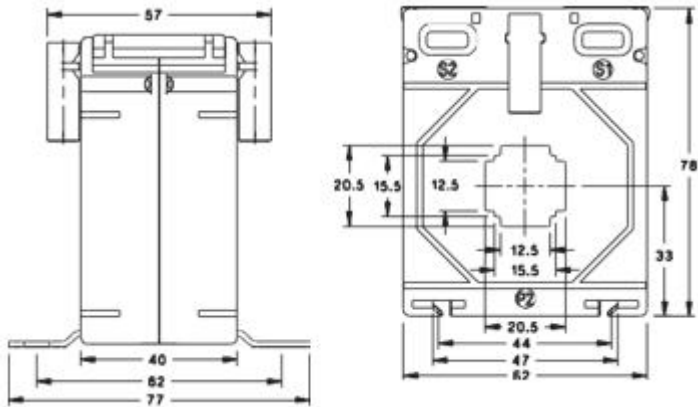
### ZIEGLER WINDOW62 SERIES

#### ZIS 6.22 B



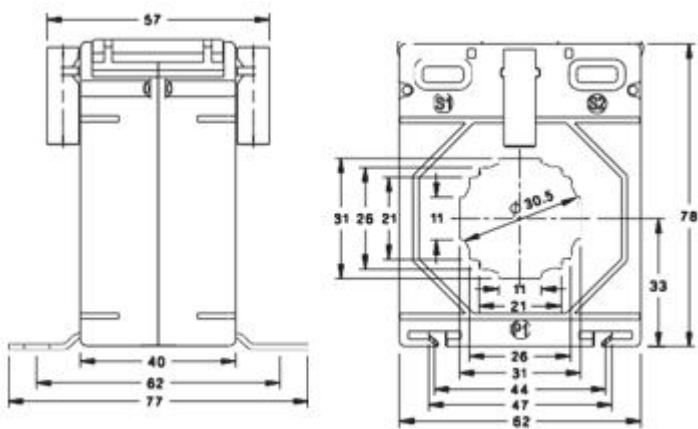
50A	-	-	-	1.5VA
60A	-	-	-	2.5VA
75A	-	-	1.5VA	2.5VA
80A	-	-	2.5VA	2.5VA
100A		1.5VA	2.5VA	5VA
120A	-	1.5VA	3.75VA	5VA
125A		1.5VA	3.75VA	5VA
150A	2.5VA	2.5VA	5VA	7.5VA
200A	5VA	5VA	7.5VA	10VA
250A	5VA	5VA	10VA	15VA
300A	5VA	5VA	10VA	15VA
400A	5VA	10VA	15VA	15VA
500A	10VA	10VA	15VA	15VA
600A	10VA	10VA	15VA	15VA

#### ZIS 6.20B



Primary Current	ZIS 6.20B			
	Accuracy			
	0.2S/0.5S	0.2	0.5	1.0
50A	-	-	-	1.5VA
60A	-	-	-	2.5VA
75A	-	-	1.5VA	3.75VA
80A	-	-	2.5VA	3.75VA
100A	1.5VA	1.5VA	2.5VA	5VA
120A	1.5VA	1.5VA	3.75VA	5VA
125A	1.5VA	1.5VA	3.75VA	5VA
150A	2.5VA	2.5VA	5VA	7.5VA
200A	3.75VA	5VA	7.5VA	10VA
250A	3.75VA	5VA	10VA	15VA
300A	5VA	5VA	10VA	15VA
400A	5VA	10VA	15VA	15VA
500A	5VA	10VA	15VA	15VA

#### ZIS 6.30B



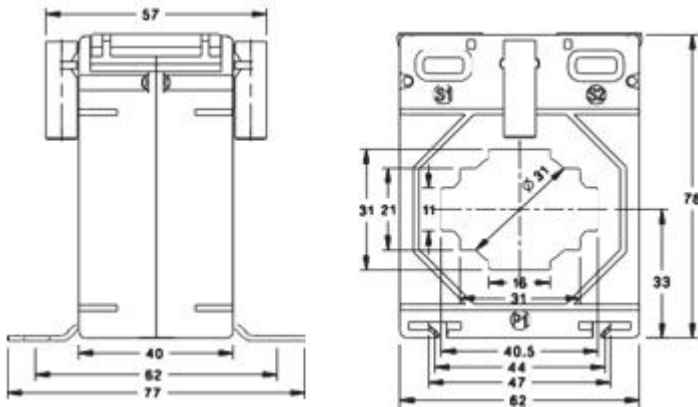
Primary Current	ZIS 6.30B			
	Accuracy			
	0.2S/0.5S	0.2	0.5	1.0
50A	-	-	-	1.25VA
60A	-	-	-	1.5VA
75A	-	-	-	2.5VA
80A	-	-	-	2VA
100A	1VA	1VA	1.5VA	3.75VA
120A	1VA	1VA	2.5VA	3.75VA
125A	1VA	1VA	2.5VA	3.75VA
150A	2.5VA	1.5VA	3.75VA	7.5VA
200A	5VA	3.75VA	5VA	10VA
250A	5VA	5VA	5VA	10VA
300A	5VA	3.75VA	10VA	15VA
400A	5VA	10VA	12.5VA	15VA
500A	5VA	10VA	12.5VA	15VA
600A	7.5VA	10VA	15VA	20VA
750A	10VA	10VA	15VA	15VA
800A	10VA	10VA	15VA	15VA



# SQUARE TYPE WINDOW CT

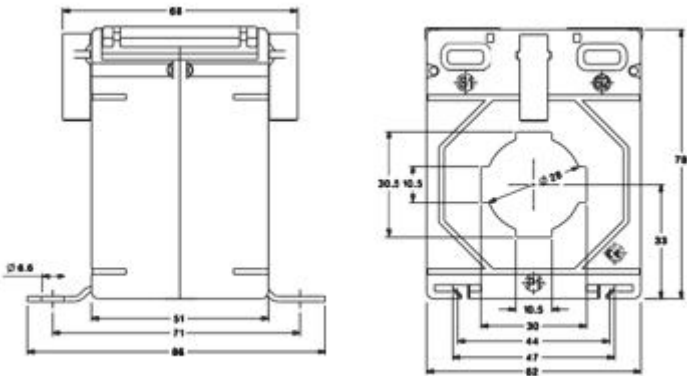
## CURRENT TRANSFORMER

### ZIS 6.40B



	ACCURACY			
	0.2s/0.5s	0.2	0.5	1.0
100A	-	-	-	1.5VA
120A	-	-	-	1.5VA
125A	-	-	-	1.5VA
150A	-	-	-	2.5VA
200A	1VA	1VA	1.5VA	3.75VA
250A	1.5VA	1.5VA	2.5VA	5VA
300A	1.5VA	1.5VA	5VA	5VA
400A	2.5VA	2.5VA	5VA	5VA
500A	2.5VA	5VA	5VA	7.5VA
600A	2.5VA	7.5VA	7.5VA	10VA
750A	5VA	10VA	10VA	10VA
800A	5VA	10VA	10VA	10VA

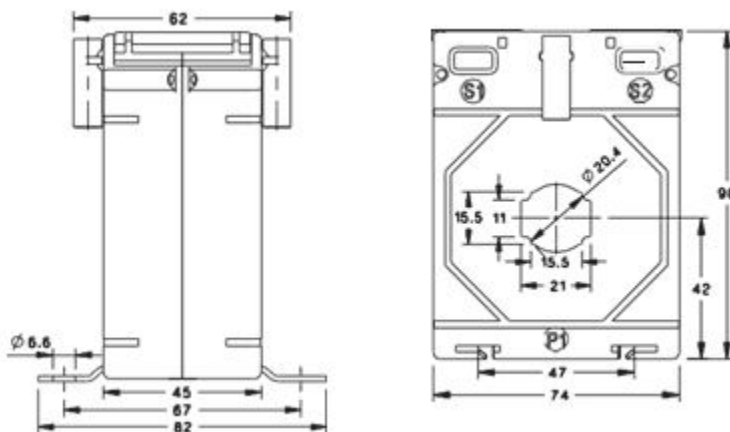
### ZIS 6.30D



PRIMARY CURRENT	ZIS 6.30D			
	ACCURACY			
	0.2s/0.5s	0.2	0.5	1.0
50A	-	-	-	1.5VA
60A	-	-	-	2.5 VA
75A	-	-	2.5 VA	2.5 VA
80A	-	-	2.5 VA	3.75 VA
100A	1.25 VA	1.25 VA	2.5 VA	5 VA
120A	1.25 VA	1.25 VA	5 VA	5 VA
125A	1.25 VA	1.25 VA	5 VA	5 VA
150A	2 VA	2 VA	5 VA	7.5 VA
200A	5 VA	3.75 VA	10 VA	15 VA
250A	5 VA	5 VA	15 VA	15 VA
300A	5 VA	5 VA	15 VA	15 VA
400A	10 VA	6.25 VA	15 VA	30 VA
500A	5 VA	7.5 VA	15 VA	30 VA
600A	6.25 VA	10 VA	20 VA	30 VA
750A	6.25 VA	10 VA	20 VA	30 VA
800A	6.25 VA	10 VA	20 VA	30 VA

### ZIEGLER WINDOW74 SERIES

#### ZIS 7.20C

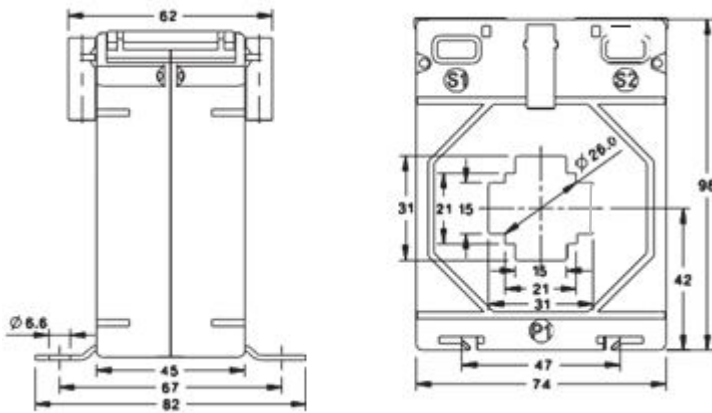


Primary Current	ZIS 7.20C			
	Accuracy			
	0.2S/0.5S	0.2	0.5	1.0
40A	-	-	-	1.5 VA
50A	-	-	1 VA	2.5 VA
60A	-	-	1 VA	3.75 VA
75A	-	-	1.5 VA	5 VA
80A	-	-	2.5 VA	5 VA
100A	1.5VA	1.5 VA	5 VA	7.5 VA
120A	1.5 VA	1.5 VA	5 VA	10 VA
125A	1.5 VA	1.5 VA	5 VA	10 VA
150A	2.5 VA	2.5 VA	7.5 VA	12.5 VA
200A	5 VA	5 VA	10 VA	15 VA
250A	5 VA	5 VA	10 VA	15 VA
300A	5 VA	7.5 VA	15 VA	15 VA
400A	5 VA	10 VA	15 VA	20 VA
500A	5 VA	10 VA	15 VA	15 VA

# SQUARE TYPE WINDOW CT

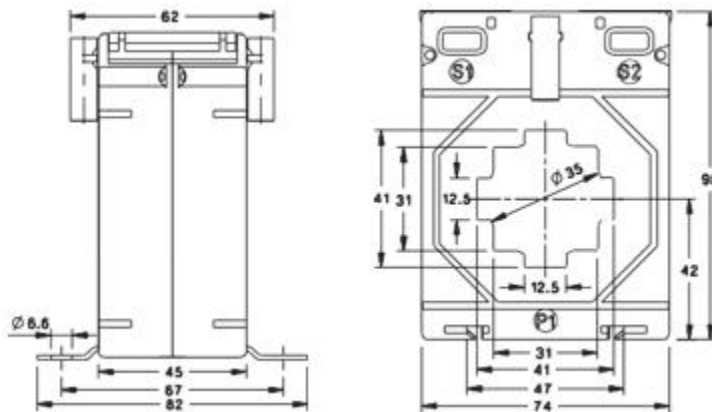
## CURRENT TRANSFORMER

### ZIS 7.30C



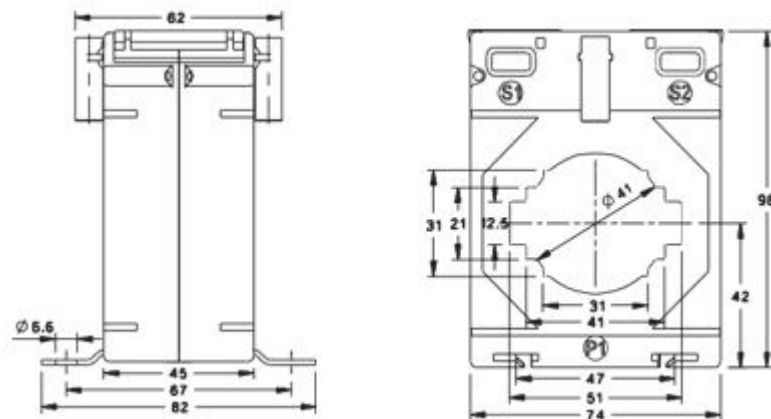
Primary Current	ZIS 7.30C			
	Accuracy			
	0.2S/0.5S	0.2	0.5	1.0
40A	-	-	-	1.5 VA
50A	-	-	-	1.5 VA
60A	-	-	-	2.5 VA
75A	-	-	1.5 VA	2.5 VA
80A	-	-	1.5 VA	3.75 VA
100A	1.5 VA	1.5 VA	2.5 VA	5 VA
120A	1.5 VA	1.5 VA	2.5 VA	5 VA
125A	1.5 VA	1.5 VA	2.5 VA	5 VA
150A	1.5 VA	1.5 VA	5 VA	7.5 VA
200A	2.5 VA	2.5 VA	10 VA	15 VA
250A	2.5 VA	2.5 VA	10 VA	15 VA
300A	2.5 VA	5 VA	10 VA	15 VA
400A	5 VA	7.5 VA	15 VA	20 VA
500A	5 VA	10 VA	15 VA	20 VA
600A	5 VA	15 VA	15 VA	20 VA
750A	7.5 VA	20 VA	20 VA	30 VA
800A	10 VA	30 VA	30 VA	30 VA

### ZIS 7.40C



PRIMARY CURRENT	ZIS 7.40C			
	ACCURACY			
	0.2s/0.5s	0.2	0.5	1.0
40A	-	-	-	1 VA
50A	-	-	-	1.5 VA
60A	-	-	-	1.5 VA
75A	-	-	-	2.5 VA
80A	-	-	-	2.5 VA
100A	1 VA	-	1.5 VA	3.75 VA
120A	1 VA	-	1.5 VA	2.5 VA
125A	1 VA	-	1.5 VA	2.5 VA
150A	1.5 VA	1 VA	3.75 VA	5 VA
200A	2.5 VA	2.5 VA	5 VA	10 VA
250A	5 VA	3.75 VA	5 VA	10 VA
300A	5 VA	5 VA	10 VA	15 VA
400A	5 VA	10 VA	10 VA	15 VA
500A	5 VA	10 VA	15 VA	20 VA
600A	5 VA	15 VA	15 VA	20 VA
750A	5 VA	15 VA	15 VA	20 VA
800A	7.5 VA	15 VA	15 VA	20 VA
100A	10 VA	15 VA	15 VA	20 VA

### ZIS 7.50C



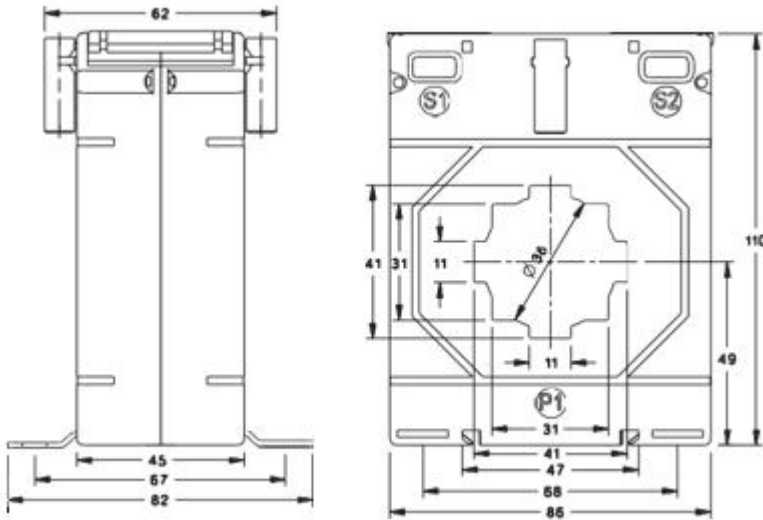
PRIMARY CURRENT	ZIS 7.50C			
	ACCURACY			
	0.2s/0.5s	0.2	0.5	1.0
100A	-	-	-	1.5VA
120A	-	-	-	1.5VA
125A	-	-	-	1.5VA
150A	-	-	-	2.5VA
200A	-	-	1.5VA	3.75VA
250A	1.5VA	1.5VA	2.5VA	5VA
300A	1.5VA	1.5VA	5VA	7.5VA
400A	2.5VA	2.5VA	5VA	7.5VA
500A	5VA	5VA	7.5VA	10VA
600A	5VA	7.5VA	10VA	12.5VA
750A	5VA	10VA	12.5VA	15VA
800A	5VA	10VA	12.5VA	15VA
1000A	5VA	10VA	12.5VA	15VA

# SQUARE TYPE WINDOW CT

## CURRENT TRANSFORMER

### ZIEGLER WINDOW 86 SERIES

#### ZIS 8.40C



#### ZIS 8.50C

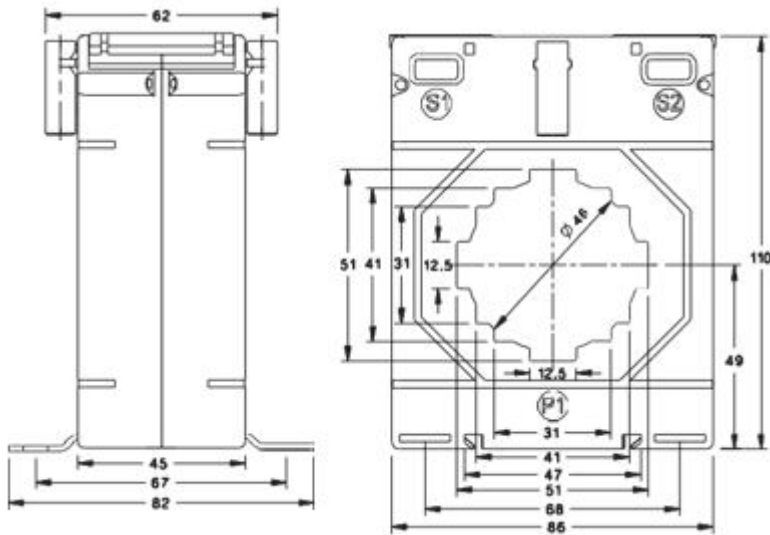
Primary Current	ZIS 8.40C			
	Accuracy			
	0.2S/0.5S	0.2	0.5	1.0
50A	-	-	-	1.5VA
60A	-	-	-	1.5VA
75A	-	-	-	2.5VA
80A	-	-	-	2.5VA
100A	1.5VA	1.5VA	2.5VA	5VA
120A	1.5VA	1.5VA	2.5VA	5VA
150A	2.5VA	2.5VA	5VA	10VA
200A	5VA	2.5VA	7.5VA	15VA
250A	10VA	5VA	7.5VA	15VA
300A	10VA	10VA	15VA	15VA
400A	10VA	15VA	15VA	20VA
500A	5VA	15VA	30VA	30VA
600A	7.5VA	15VA	30VA	30VA
750A	7.5VA	15VA	30VA	30VA
800A	10VA	15VA	30VA	30VA
1000A	10VA	15VA	30VA	30VA

Primary Current	ZIS 8.50C			
	Accuracy			
	0.2S/0.5S	0.2	0.5	1.0
100A	-	-	1VA	1.5VA
120A	-	-	1.5VA	2.5VA
125A	-	-	1.5VA	2.5VA
150A	-	-	2.5VA	5VA
200A	2.5VA	1VA	5VA	7.5VA
250A	2.5VA	1.5VA	7.5VA	10VA
300A	5VA	3.75 VA	7.5VA	10VA
400A	7.5VA	10VA	15VA	15VA
500A	7.5VA	10VA	15VA	20VA
600A	10VA	15VA	15VA	20VA
750A	7.5VA	15VA	15VA	20VA
800A	10VA	12.5VA	20VA	30VA
1000A	12.5VA	20VA	30VA	30VA
1200A	12.5VA	20VA	30VA	30VA
1250A	12.5VA	20VA	30VA	30VA

Primary Current	ZIS 8.60C			
	Accuracy			
	0.2S/0.5S	0.2	0.5	1.0
100A	-	-	-	1VA
120A	-	-	-	1.5VA
125A	-	-	-	2.5VA
150A	-	-	-	2.5VA
200A	-	-	1.5VA	3.75VA
250A	-	-	2.5VA	5VA
300A	1.5VA	1.5VA	5VA	7.5VA
400A	2.5VA	2.5VA	10VA	12.5VA
500A	2.5VA	3.75VA	10VA	15VA
600A	5VA	5VA	15VA	15VA
700A	5VA	10VA	15VA	20VA
800A	5VA	10VA	15VA	20VA
1000A	10VA	15VA	20VA	30VA
1200A	10VA	15VA	20VA	30VA

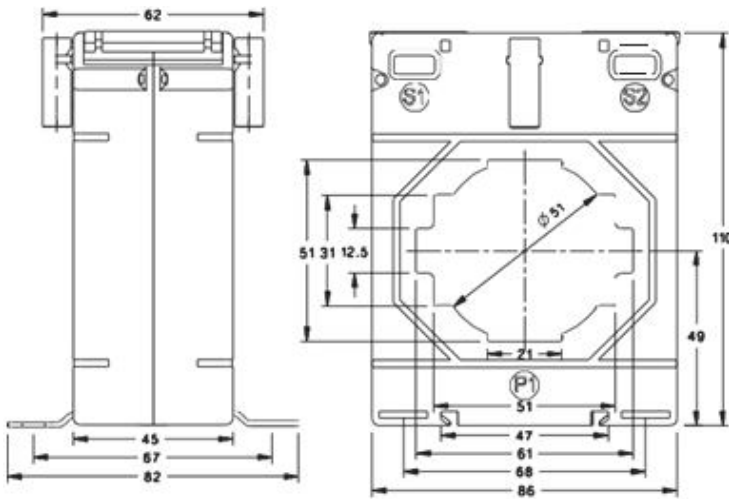
# SQUARE TYPE WINDOW CT

## CURRENT TRANSFORMER



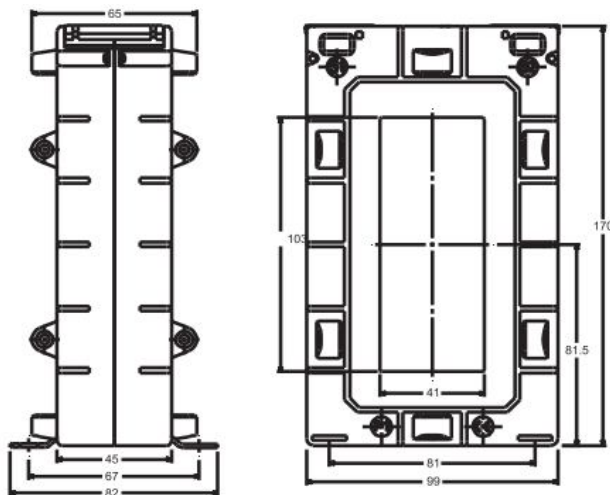
1250A	10VA	15VA	20VA	20VA
1500A	10VA	15VA	20VA	20VA
1600A	10VA	15VA	20VA	20VA

### ZIS8.60C



## ZIEGLER WINDOW Vertical SERIES

### ZIS 10.10VC



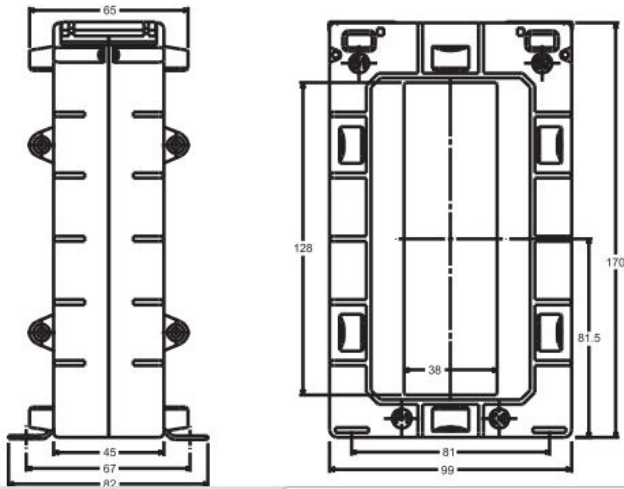
Primary Current	ZIS 10.10 VC			
	Accuracy			
	0.2S/0.5S	0.2	0.5	1.0
400A	-	-	2.5VA	5VA
500A	-	-	2.5VA	5VA
600A	-	-	2.5VA	5VA
750A	-	-	2.5VA	5VA
800A	-	-	5VA	10VA
1000A	-	5VA	10VA	15VA
1200A	5VA	5VA	10VA	15VA
1250A	5VA	5VA	10VA	15VA
1500A	5VA	5VA	15VA	30VA
1600A	7.5VA	10VA	15VA	30VA
2000A	7.5VA	10VA	15VA	30VA
2500A	10VA	10VA	15VA	20VA

ZIS 10.13 VC
--------------

# SQUARE TYPE WINDOW CT

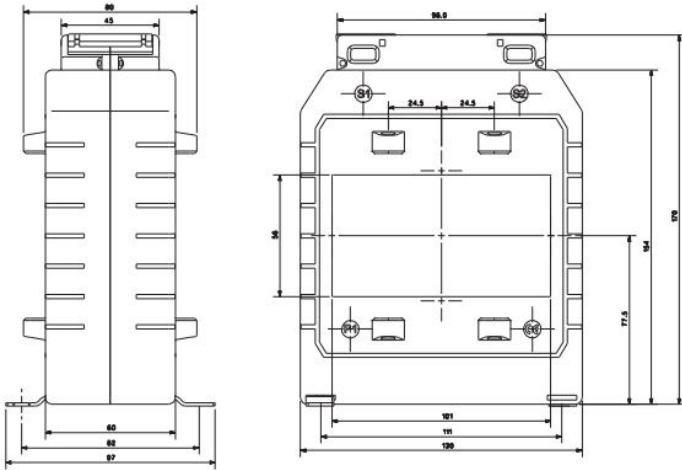
## CURRENT TRANSFORMER

### ZIS 10.13 VC



Primary Current	Accuracy		
	0.2	0.5	1.0
400A	-	2.5VA	5VA
500A	-	2.5VA	5VA
600A	-	2.5VA	5VA
750A	-	2.5VA	5VA
800A	-	5VA	10VA
1000A	-	10VA	15VA
1200A		10VA	15VA
1250A		10VA	15VA
1500A	5VA	15VA	30VA
1600A	5VA	15VA	30VA
2000A	5VA	15VA	30VA
2500A	5VA	15VA	30VA
3200A	5VA	10VA	12.5VA

### ZIS 13.10D



Primary Current	ZIS 13.10D			
	Accuracy			
	0.2S/0.5S	0.2	0.5	1.0
600A	2.5VA	2.5VA	5VA	10VA
750A	3.75VA	5VA	10VA	10VA
800A	5VA	7.5VA	10VA	10VA
1000A	7.5VA	10VA	15VA	15VA
1200A	10VA	10VA	15VA	15VA
1250A	10VA	10VA	15VA	15VA
1500A	10VA	15VA	15VA	15VA
1600A	10VA	15VA	15VA	15VA
2000A	10VA	15VA	15VA	15VA
2500A	10VA	15VA	15VA	15VA
3000A	12.5VA	15VA	15VA	15VA

Primary Current	ZIS 10.60C			
	Accuracy			
	0.2S/0.5S	0.2	0.5	1.0
100A	-	-	-	1.5VA
120A	-	-	-	2.5VA
125A	-	-	-	2.5VA
150A	-		2.5VA	5VA
200A	-	1.5VA	5VA	10VA
250A	-	2.5VA	7.5VA	12.5VA
300A	1.5VA	3.75VA	10VA	15VA
400A	2.5VA	7.5VA	10VA	15VA
500A	7.5VA	10VA	15VA	20VA
600A	15VA	15VA	15VA	30VA
750A	15VA	15VA	20VA	30VA
800A	15VA	15VA	30VA	30VA
1000A	15VA	20VA	30VA	45VA
1200A	15VA	30VA	30VA	45VA
1250A	15VA	30VA	30VA	45VA
1500A	15VA	30VA	30VA	45VA

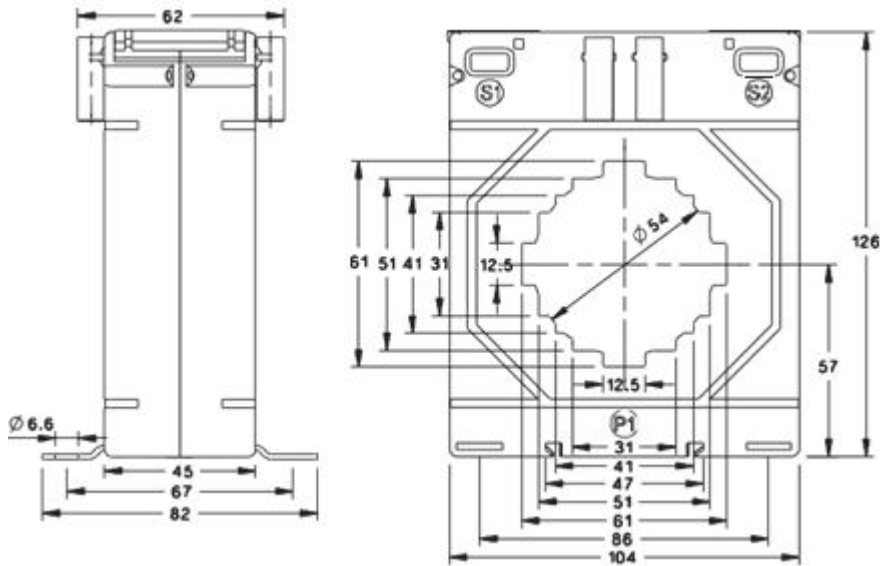
# SQUARE TYPE WINDOW CT

## CURRENT TRANSFORMER

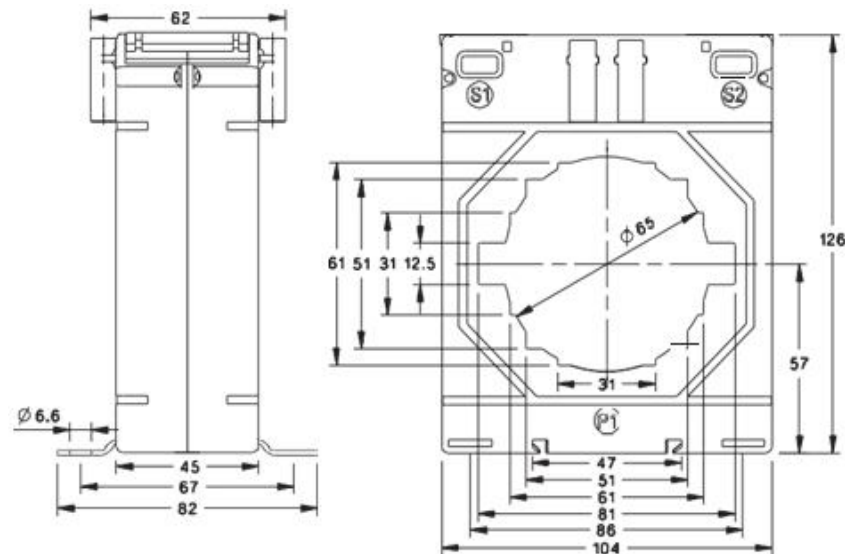
1600A	15VA	30VA	30VA	45VA
-------	------	------	------	------

### ZIEGLER WINDOW 104 SERIES

#### ZIS 10.60C



#### ZIS 10.80C



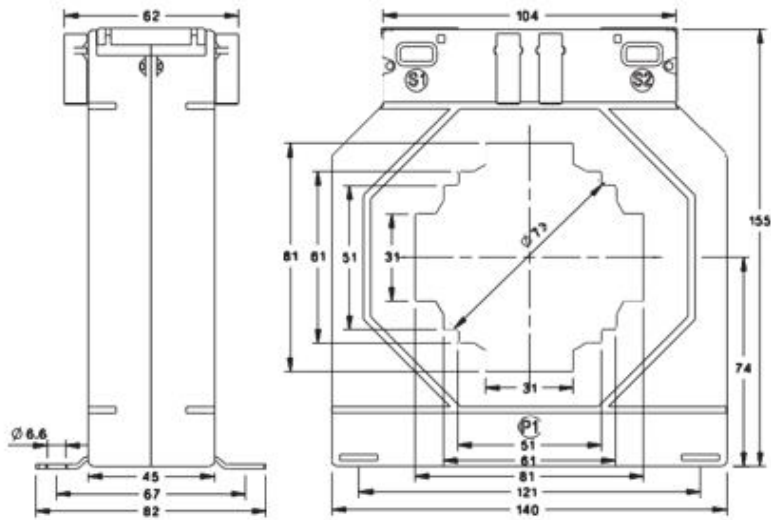
Primary Current	ZIS 10.80C			
	Accuracy			
	0.2S/0.5S	0.2	0.5	1.0
200A	-	-	-	1.5VA
250A	-	-	1.5VA	2.5VA
300A	-	-	2.5VA	7.5VA
400A	-	1.5VA	7.5VA	10VA
500A	-	5VA	10VA	10VA
600A	3.75VA	5VA	10VA	12.5VA
750A	5VA	5VA	15VA	15VA
800A	5VA	7.5VA	15VA	15VA
1000A	15VA	12.5VA	20VA	30VA
1200A	15VA	15VA	20VA	30VA
1250A	15VA	15VA	20VA	30VA
1500A	15VA	15VA	20VA	30VA
1600A	10VA	15VA	20VA	30VA
2000A	10VA	15VA	20VA	30VA

# SQUARE TYPE WINDOW CT

## CURRENT TRANSFORMER

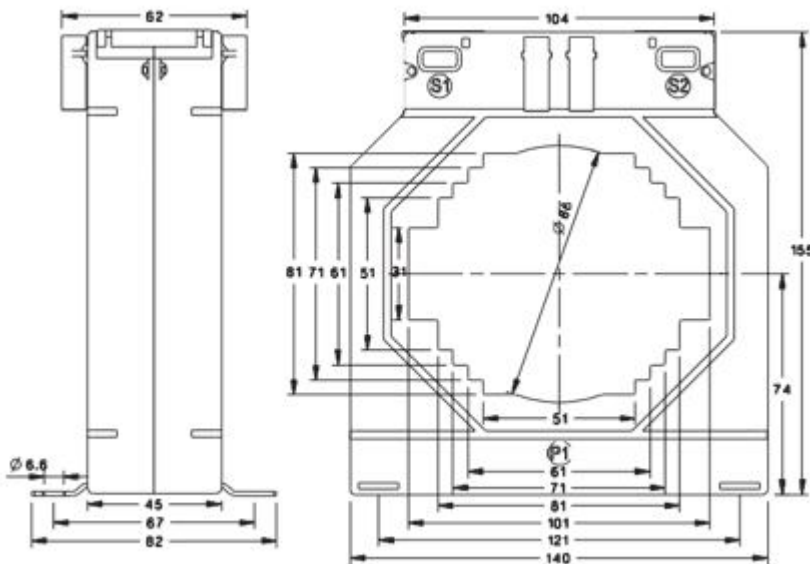
### ZIEGLER WINDOW 140 SERIES

#### ZIS 14.80C



Primary Current	ZIS 14.80 C			
	Accuracy			
	0.2S/0.5S	0.2	0.5	1.0
200A	-	-	2.5VA	5VA
250A	-	-	5VA	10VA
300A	-	1.5VA	7.5VA	15VA
400A	-	2.5VA	10VA	20VA
500A	2.5VA	5VA	15VA	30VA
600A	3.75VA	7.5VA	15VA	30VA
750A	5VA	10VA	15VA	45VA
800A	5VA	10VA	15VA	45VA
1000A	10VA	15VA	30VA	60VA
1200A	12.5VA	15VA	30VA	60VA
1250A	12.5VA	30VA	60VA	60VA
1500A	15VA	30VA	60VA	60VA
1600A	15VA	30VA	60VA	60VA
2000A	15VA	30VA	60VA	60VA

#### ZIS 14.10HC

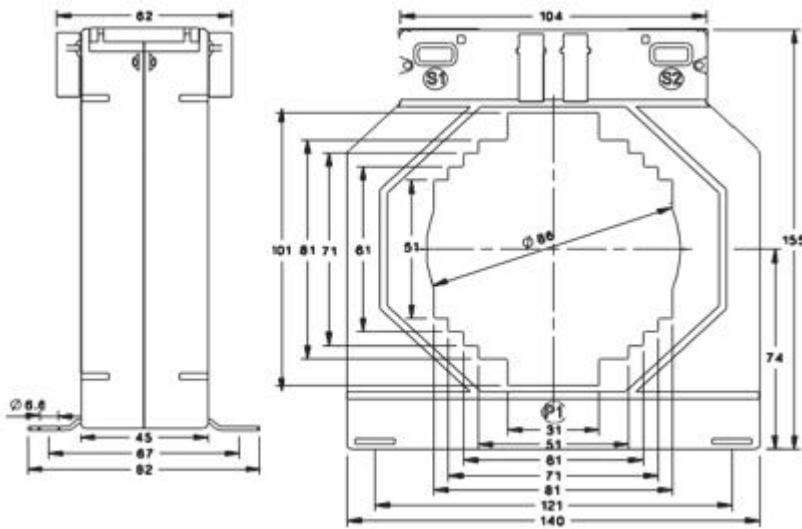


Primary Current	ZIS 14.10 HC			
	Accuracy			
	0.2S/0.5S	0.2	0.5	1.0
200A	-	-	1.5VA	3.75VA
250A	-	-	2.5VA	5VA
300A	-	-	3.75VA	7.5VA
400A	-	1.5VA	7.5VA	10VA
500A	-	2.5VA	10VA	12.5VA
600A	2.5VA	3.75VA	10VA	15VA
750A	5VA	5VA	15VA	20VA
800A	5VA	5VA	15VA	20VA
1000A	5VA	10VA	15VA	20VA
1200A	10VA	15VA	15VA	30VA
1250A	10VA	15VA	15VA	30VA
1500A	15VA	20VA	20VA	30VA
1600A	15VA	20VA	20VA	45VA
2000A	15VA	30VA	45VA	45VA
2500A	15VA	30VA	45VA	45VA
3000A	15VA	30VA	60VA	60VA
4000A	15VA	30VA	60VA	60VA

# SQUARE TYPE WINDOW CT

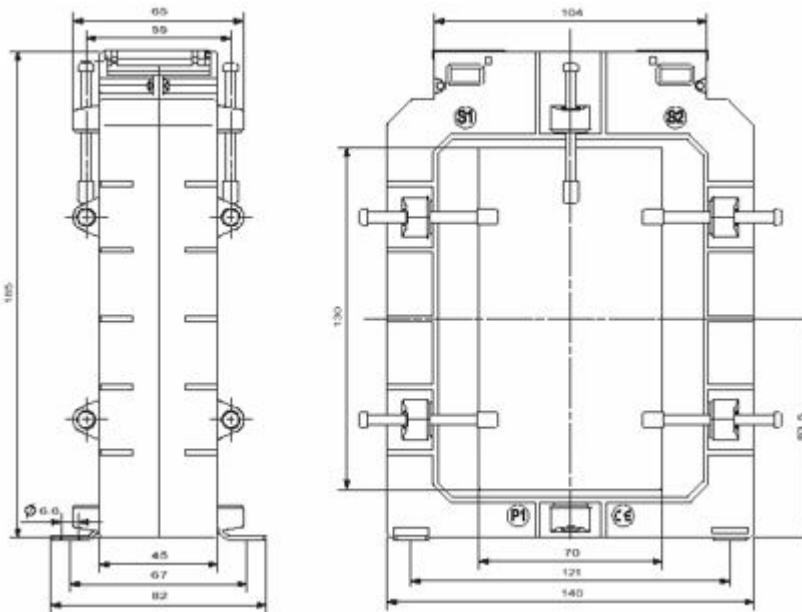
## CURRENT TRANSFORMER

### ZIS 14.10VC



PRIMARY CURRENT	ZIS 14.10 VC			
	ACCURACY			
	0.2s/0.5s	0.2	0.5	1.0
200A	-	-	1.5 VA	3.75 VA
250A	-	-	2.5 VA	5 VA
300A	-	-	3.75 VA	7.5 VA
400A	-	1.5 VA	10 VA	10 VA
500A	-	2.5 VA	10 VA	12.5 VA
600A	2.5 VA	3.75 VA	12.5 VA	15 VA
750A	5 VA	5 VA	15 VA	20 VA
800A	5 VA	5 VA	15 VA	20 VA
1000A	5 VA	10 VA	15 VA	20 VA
1200A	10 VA	15 VA	15 VA	30 VA
1250A	10 VA	15 VA	15 VA	30 VA
1500A	15 VA	20 VA	30 VA	30 VA
1600A	15 VA	20 VA	45 VA	45 VA
2000A	15 VA	30 VA	45 VA	45 VA
2500A	15 VA	30 VA	45 VA	45 VA
3000A	15 VA	30 VA	60 VA	60 VA

### ZIS 14.13VC



Primary Current	ZIS 14.13 VC		
	Accuracy		
	0.2	0.5	1.0
400A	-	3.75VA	5VA
500A	-	3.75VA	5VA
600A	-	3.75VA	5VA
750A	-	5VA	7.5VA
800A	-	5VA	7.5VA
1000A	5VA	10VA	10VA
1200A	7.5VA	10VA	15VA
1250A	7.5VA	10VA	15VA
1500A	10VA	15VA	15VA
1600A	10VA	15VA	15VA
2000A	15VA	20VA	20VA
2500A	15VA	20VA	20VA
3000A	15VA	20VA	20VA
3200A	15VA	20VA	20VA
4000A	15VA	20VA	20VA
5000A	15VA	20VA	20VA

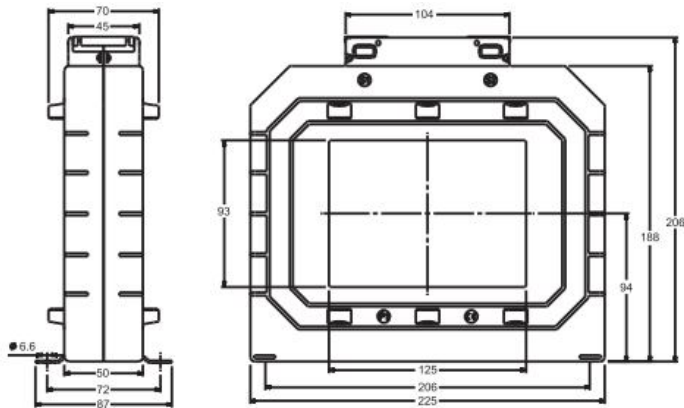


# SQUARE TYPE WINDOW CT

## CURRENT TRANSFORMER

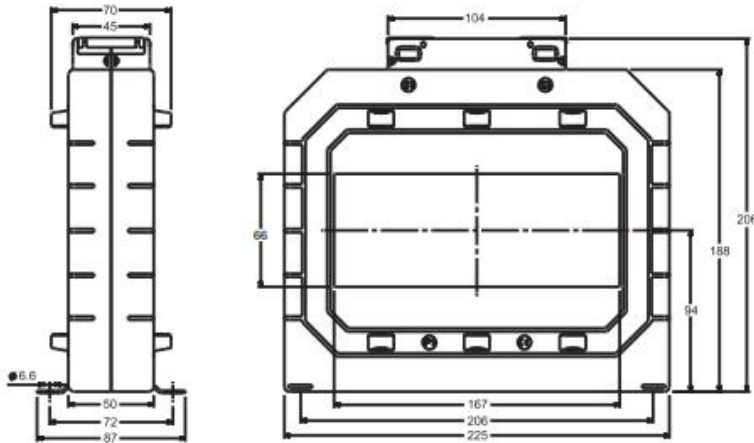
### ZIEGLER WINDOW 225 SERIES

#### ZIS 22.12D



Primary Current	ZIS 22.12D			
	Accuracy			
	0.2S/0.5S	0.2	0.5	1.0
600A	-	5VA	5VA	10VA
750A	-	5VA	10VA	10VA
800A	-	5VA	10VA	10VA
1000A	5VA	10VA	10VA	15VA
1200A	5VA	10VA	10VA	15VA
1250A	5VA	10VA	10VA	15VA
1500A	7.5VA	10VA	15VA	30VA
1600A	7.5VA	10VA	15VA	30VA
2000A	10VA	10VA	15VA	30VA
2500A	10VA	15VA	30VA	30VA
3000A	10VA	15VA	30VA	60VA
4000A	15VA	30VA	45VA	60VA
5000A	15VA	30VA	100VA	100VA
6000A	15VA	60VA	100VA	100VA

#### ZIS 22.16D



Primary Current	ZIS 22.16D			
	Accuracy			
	0.2S/0.5S	0.2	0.5	1.0
1000A	-	3.75VA	5VA	10VA
1200A	-	5VA	10VA	15VA
1250A	-	5VA	10VA	15VA
1500A	5VA	10VA	15VA	30VA
1600A	5VA	10VA	15VA	30VA
2000A	7.5VA	10VA	30VA	30VA
2500A	10VA	15VA	30VA	45VA
3000A	10VA	15VA	30VA	45VA
4000A	10VA	15VA	30VA	45VA
5000A	15VA	20VA	30VA	45VA
6000A	15VA	20VA	30VA	45VA
7500A	15VA	20VA	30VA	45VA

**Ordering Example:-** ZIS 5.30A 250/5A 3.75VA Class 1 // ZIS 8.60C 500/1A 15VA Class 1

# Ziegler

Redefine Innovative Metering

**Ziegler Instrumentation UK Ltd.**

Central Buildings, Woodland close old woods Trading Estate, Torquay Devon, TQ2 7BB, United Kingdom

+441803 616 800 | [info@ziegler-instrument.com](mailto:info@ziegler-instrument.com) | [ziegler-instrument.com](http://ziegler-instrument.com)