

# Ziegler

Redefine Innovative Metering

# Technical Datasheet

Round Type-E SERIES

---

CURRENT TRANSFORMER

# Round Type -E SERIES

## CURRENT TRANSFORMER

### ZIR-ESERIES

Round type CTs come with two version, Clamp Screw Termination and extended wires type. These are designed to measure currents from 50A to 3200A (ZIR Series) to 5000A (ZIR-E Series). Ziegler round CTs come with bus bar mounting kit and wall

#### Product Features

- Wide range of system current ratings
- Primary Current ratings 50A to 5000A
- VA ratings available from 2.5VA to 15VA
- Mounting options : Wall mounting (option), Bus bar mounting .
- Available in 12 different sizes : Class 0.5, 1,5
- Secondary Current ratings 5A & 1A
- ISF value : 5, 10.



#### General Specification

<b>Applicable standard :-</b>	IEC 61869-1 & 2
<b>Case :-</b>	10% Glass filled polycarbonate, flame retardant grades classified UL 94V-0
<b>Insulation class :-</b>	E (120°C max)
<b>Test voltage :-</b>	For Ring type CT : 4KV 50 Hz for 1 min
<b>Operating frequency :-</b>	50Hz/60Hz
<b>Rated Primary current :-</b>	50A to 3200A
<b>Rated secondary current :-</b>	5A,1A
<b>Burden :-</b>	2.5 VA to 15VA
<b>Continuous current :-</b>	1.2X Rated current
<b>Rated system voltage :-</b>	0.72/3KV
<b>Operating temperature range:-</b>	-20 to +45°C
<b>Storage temperature range:-</b>	-50 to +80°C
<b>Accuracy Class:-</b>	0.5,1,5
<b>Thermal short circuit current (<math>I_{th}</math>):-</b>	$60 \times I_n$ for Wound type CT and $60 \times I_n$ for Bus Bar type CT
<b>Dynamic short circuit current (<math>I_{dyn}</math>):-</b>	$2.5 \times I_{th}$
<b>Instrument security factor (FS): -</b>	2.5, 5, 10

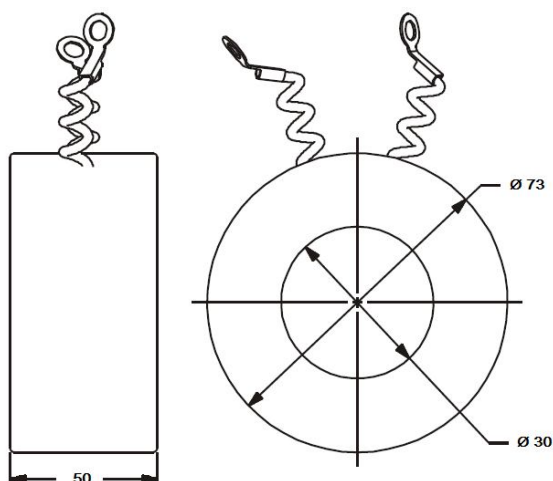
# Round Type -E SERIES

CURRENT TRANSFORMER

## ZIR Round Conductor series Metering Current Transformers

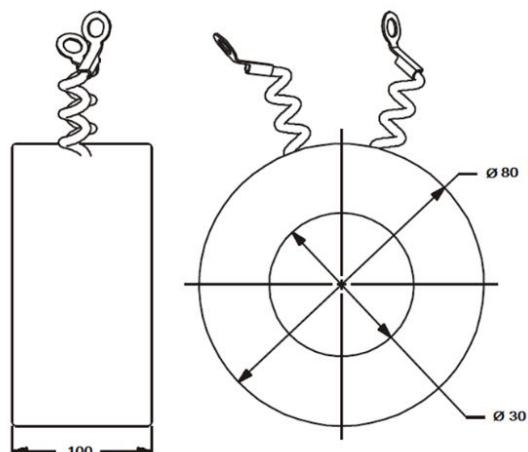
### ZIR series CTs

#### ZIR 7.30DE



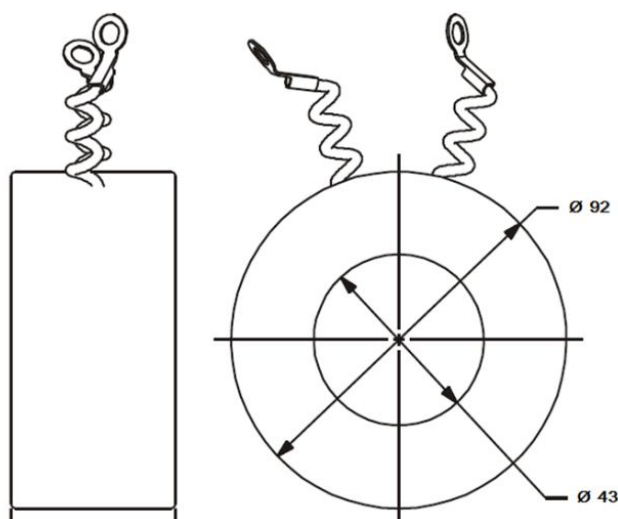
Primary Current	ZIR 7.30DE		
	Accuracy Class		
	0.5	1	5
50A	-	-	5VA
60A	-	-	5VA
75A	-	-	5VA
100A	2.5VA	5VA	-
120A	-	5VA	-
125A	-	5VA	-
150A	5VA	5VA	-
200A	5VA	15VA	-
200A	10VA	-	-

#### ZIR 8.30GE



Primary Current	ZIR 8.30GE	
	Accuracy Class	
	0.5	1
100A	2.5	10VA
100A	2.5	15VA
150A	5	15VA

#### ZIR 9.43BE



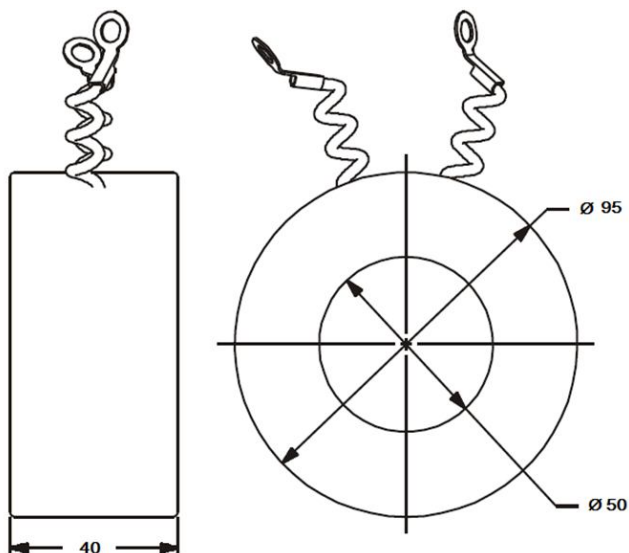
Primary Current	ZIR 9.43BE	
	Accuracy Class	
	0.5	1
200A	5VA	5VA
200A	5VA	10VA
200A	5VA	15VA
250A	5VA,	5VA,
250A	7.5VA	10VA,
250A	7.5VA	15VA
300A	5VA	5VA
300A	10VA	10VA

# Round Type -E SERIES

## CURRENT TRANSFORMER

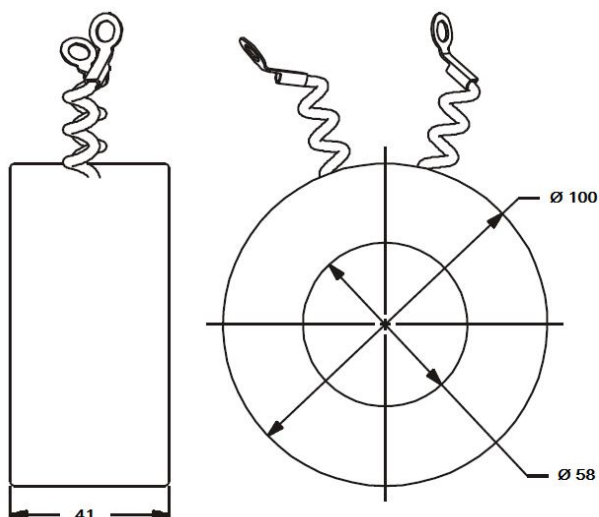
300A	10VA	15VA
400A	-	5VA
400A	-	15VA

### ZIR 9.50BE



Primary Current	ZIR 9.50BE	
	Accuracy Class	
	0.5	1
200A	5VA	5VA
200A	-	10VA
200A	-	15VA
250A	5VA	5VA
250A	7.5VA	10VA
250A	-	15VA
300A	5VA	5VA
300A	10VA	10VA
300A	-	15VA

### ZIR 10.58BE



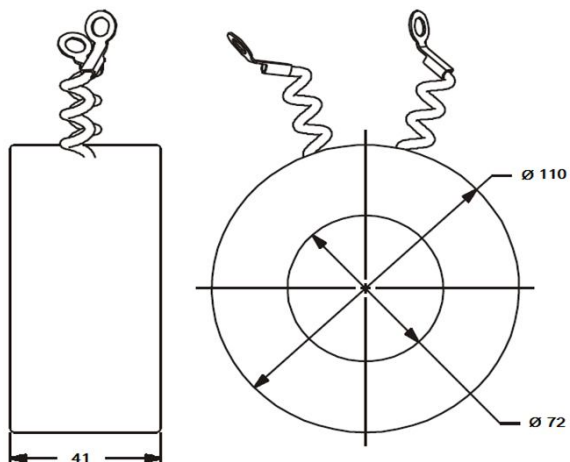
Primary Current	ZIR 10.58BE	
	Accuracy Class	
	0.5	1
400A	5VA	5VA
400A	10VA	15VA
500A	5VA	5VA
500A	10VA	10VA
500A	15VA	15VA
600A	5VA	5VA
600A	10VA	10VA
600A	15VA	15VA

Primary Current	ZIR 11.72BE
-----------------	-------------

# Round Type -E SERIES

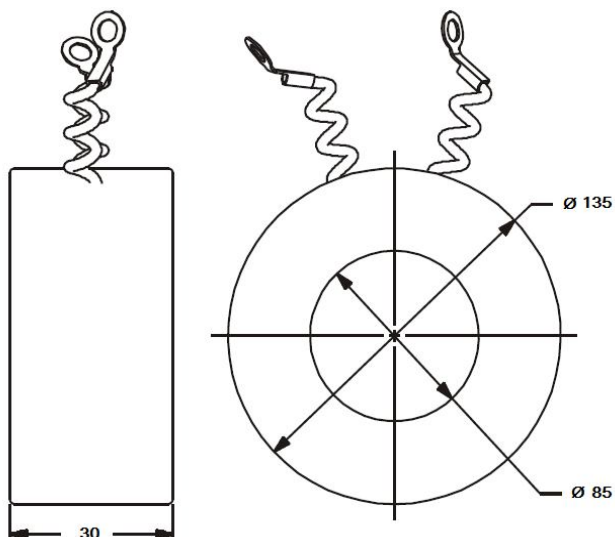
## CURRENT TRANSFORMER

### ZIR 11.72BE



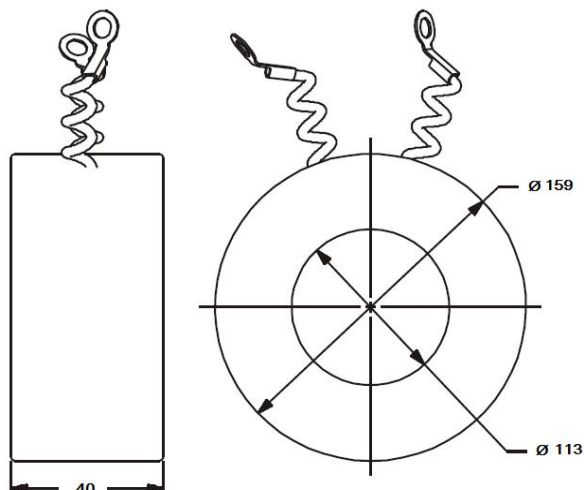
	Accuracy Class	
	0.5	1
800A	5VA	5VA
800A	10VA	10VA
800A	15VA	15VA
1000A	5VA	5VA
1000A	15VA	15VA

### ZIR 13.85AE



Primary Current	ZIR 13.85AE	
	Accuracy Class	
	0.5	1
800A	5VA	5VA
800A	10VA	10VA
800A	15VA	15VA
1000A	5VA	5VA
1000A	15VA	15VA
1200A	-	15VA

### ZIR 15.11BE

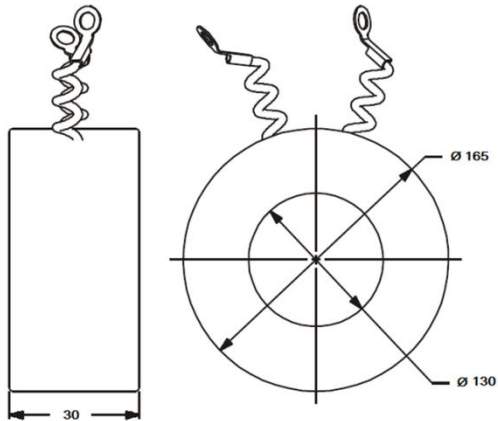


Primary Current	ZIR 15.11BE	
	Accuracy Class	
	0.5	1
1200A	15VA	15VA
1500A	15VA	15VA
1600A	15VA	15VA
2000A	15VA	15VA

# Round Type -E SERIES

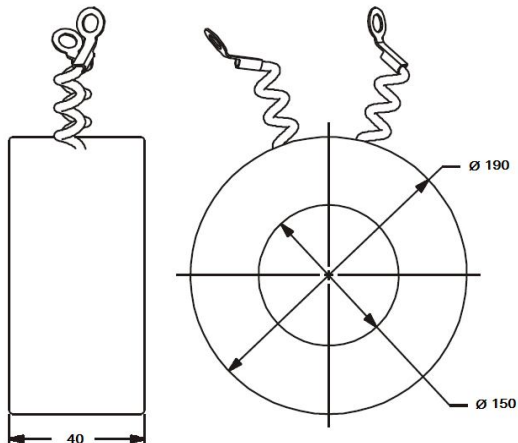
## CURRENT TRANSFORMER

### ZIR 16.13 AE



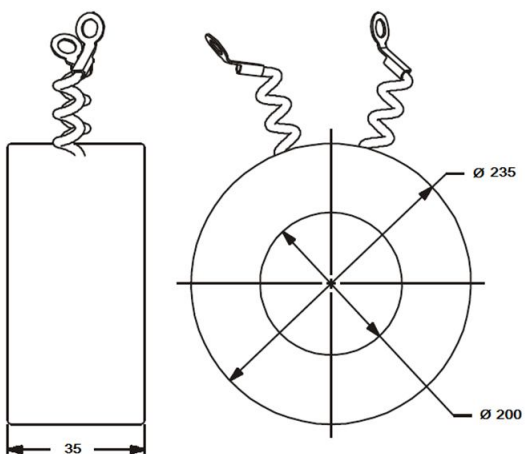
Primary Current	ZIR 16.13AE	
	Accuracy Class	
	0.5	1
2400A	15VA	15VA
2500A	15VA	15VA
3000A	15VA	15VA

### ZIR 19.15BE



Primary Current	ZIR 19.15BE	
	Accuracy Class	
	0.5	1
3200A	15VA	15VA

### ZIR 23.20FE



Primary Current	ZIR 23.20FE	
	Accuracy Class	
	1	
4000A	15VA	
5000A	15VA	

# Ziegler

Redefine Innovative Metering

**Ziegler Instrumentation UK Ltd.**

Central Buildings, Woodland close old woods Trading Estate, Torquay Devon, TQ2 7BB, United Kingdom  
+441803 616 800 | [info@ziegler-instrument.com](mailto:info@ziegler-instrument.com) | [ziegler-instrument.com](http://ziegler-instrument.com)