

Ziegler

Redefine Innovative Metering

Technical Datasheet

VISTA SERIES

ANALOG PANEL METER

VISTA SERIES

ANALOG PANEL METER

VISTA SERIES

Ziegler VISTA series of analog panel meters provides accurate indication and measurements of electrical as well as electronic parameters in Industrial, educational and medical field as per the respective standards. Vista is available in 3 models and sizes i.e ZVISTA 212 (2^{1/2}'), ZVISTA 312(3^{1/2}'), and ZVISTA 412(4^{1/2}').

In above models AC and DC Ammeters, Voltmeters and Frequency meters offered to the customers with high torque pivot and jewels movement with a accuracy of 1.5%.

Product Features

- Measuring and indication of AC amps , volts and DC signals.
- Panel mounting.
- High Torque pivot and jewel movement.
- True RMS measurement meters.
- AC and DC inputs.
- Up to 50 A DC direct connected.
- Up to 50 A AC direct connected.



Specifications:

Accuracy	
DC Ammeters and Voltmeters	1.5% 0 to 100% of full scale deflection
AC Ammeters and Voltmeters	Moving Iron: 1.5% 10 to 100% of full scale deflection
Frequency Meters	0.5% of end scale value
Input Ratings	
DC Moving Coil Ammeters	50A to 50A
DC Moving Coil Voltmeters	50mV to 600V
AC Moving Iron Ammeters (EQ)	100mA to 50A
AC Moving Iron Voltmeters (EQ)	6V to 600V
Frequency Meters	45-55-55Hz, 55-60-65Hz, 45-55-65Hz
Overload	continuous
Voltmeters	2 times for 0.5 sec : 9 overloads 2 times for 5 sec : 1 overload
Ammeters	10 times for 0.5 sec : 9 overloads
DC Center Zero Voltmeter	10 times for 5 sec : 1 overload
Enclosure	
Movement	High torque pivot and jewel moving coil and moving iron
Scale Balance	Within 1% of scale length

VISTA SERIES

ANALOG PANEL METER

Relative Humidity	25% to 80% nominal range of use
Operating Temperature	0°C to +40°C
Storage Temperature	-20°C to +55°C
Case	Matt black Case UL94V0 Polycarbonate
Window	Shatterproof polycarbonate
Fixing	Surface mounting: 4 corner studs 4-40 UNC (212& 312) for 412, 6-32 UNC
Compliant With	
Performance	ANSI C39.1 and IEC 60051
Manufacture	UL 61010 - B
Scaling	ANSI C39.1
Safety	IEC61010-1 (LVD) and BS EN 61326: (EMC) UL 61010
Vibration	ANSI C39.1 cl. 5.13

STANDARD MEASURING RANGES

D. C. Current		D. C. Voltage	
Rated Value	Approx Voltage drop	Rated Value	Sensitivity (+ 10%)
50 uA ^{*4}	424 mV	50 mV ^{*3}	0.16 kohm/V
60 uA ^{*4}	600 mV	60 mV ^{*5}	0.16 kohm/V
100 uA	400 mV	75 mV ^{*5}	0.16 kohm/V
150 uA	600 mV	100 mV ^{*5}	0.16 kohm/V
250 uA	140 mV	150 mV ^{*5}	0.16 kohm/V
400 uA	540 mV	250 mV ^{*5}	0.16 kohm/V
500 uA	540 mV	400 mV ^{*5}	0.16 kohm/V
		600 mV	0.16 kohm/V
600 uA	540 mV	1 V	1 kohm/V
1 mA	37 mV	1.5 V	1 kohm/V
1.5 mA	196 mV	2.5 V 4 V	1 kohm/V
2.5 mA	196 mV	6 V	1 kohm/V
4 mA	196 mV	10 V	1 kohm/V
5 mA	196 mV	15 V	1 kohm/V
6 mA	196 mV	25 V	1 kohm/V
10 mA	196 mV	30 V	1 kohm/V
15 mA	11 mV	40 V	1 kohm/V
20 mA	60 mV	50 V	1 kohm/V
25 mA	60 mV	60 V	1 Kohm/V
40 mA	60 mV	100 V	1 kohm/V
60 mA	60 mV	150 V	1 kohm/V
100 mA	60 mV	200 V	1 kohm/V
150 mA	60 mV	250 V	1 kohm/V
250 mA	60 mV	300 V	1 kohm/V
400 mA	60 mV	400 V	1 kohm/V
600 mA	60 mV	500 V	1 kohm/V
1 A	60 mV	600 V	1 kohm/V
1.5 A	60 mV	1-5 V	1 kohm/V
2.5 A	60 mV		1 kohm/V
4 A	60 mV		
5 A	60 mV		
6 A	72 mV		
10 A	60 mV		

VISTA SERIES

ANALOG PANEL METER

15 A	60 mV		
20 A	60 mV		
25 A	60 mV		
30 A	60 mV		
40 A	60 mV		
60 A	72 mV		

A.C. Voltage	A.C. Current
6V	100mA
10V	150mA
15V	250mA
25 V	400mA
40V	600mA
60V	1A
100V	1.5A
120V	2.5A
132V	4A
150V	5A
250V	6A
400V	10A
500V	15A
600V	20A
	25A
	40A
	50A

Frequency Range
45.....50.....55 Hz 45.....55.....65 Hz 55.....60.....65 Hz 360...400....440 Hz 380...400...420 Hz
Rated input voltage
57.7V, 63.5V, 100V, 110V, 115V, 120V, 127V, 208V, 220V, 230V, 240V, 289V, 380V, 400V, 415V, 440V, 500V
Non-Standard ranges available on request.

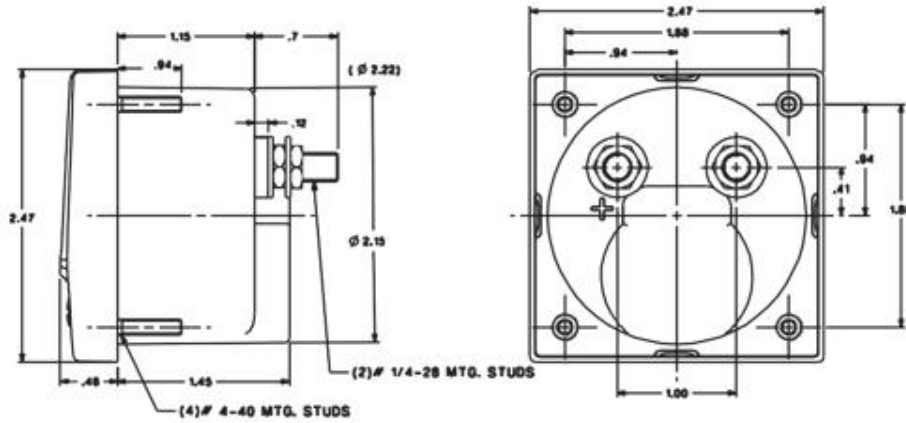
Applicable Standards	
Scale & Pointer for electrical measuring instruments	ANSI C39.1
Terminal bolts / leads	1/4 "UNC" -28
Safety requirements and protective measures for Electrical indicating instruments and their accessories	IEC 61010-1 DIN 40050/8-70, VDE 0110/11-72, VDE 0410/10-76
Ingress Progression	IP 50
Performance specifications for direct acting indicating analogue electrical measuring instruments and their accessories Environmental conditions	ANSI C39.1 IEC 60051
UL Combustibility class	UL 94 V-0
Comply with following European directives	2004/108 EC (EMC directive), 2006/95/EC (low voltage directive), amendment 93/68/EEC , FOR CE marking

VISTA SERIES

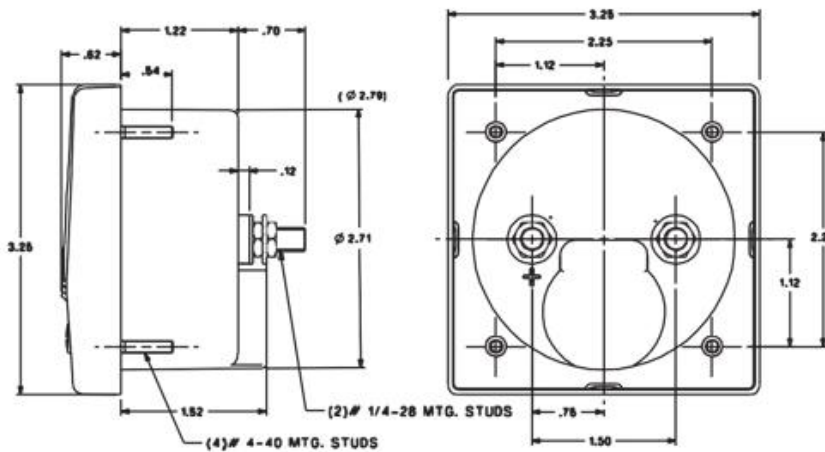
ANALOG PANEL METER

DIMENSIONS

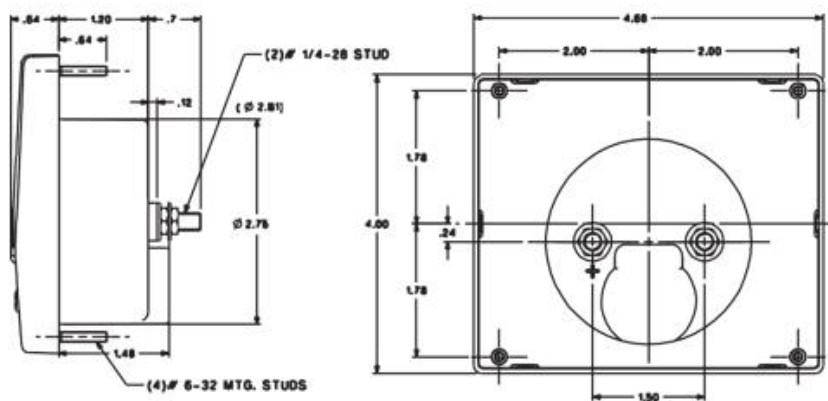
ZIEGLER VISTA 212 Analog Panel Meter size 2-1/2"



ZIEGLER VISTA 312 Analog Panel Meter size 3-1/2"



ZIEGLER VISTA 412 Analog Panel Meter size 4-1/2"



Note : All dimension are in inches.

VISTA SERIES

ANALOG PANEL METER

Ordering information

Model & size	ZIEGLER VISTA 212 (size 2^{1/2"}) / ZIEGLER VISTA 312 (size , 3^{1/2"}) / ZIEGLER VISTA 412 (and 4^{1/2"})
Meter Type	Moving Iron / Moving Coil / Frequency.
Measuring Range	DC Voltage / DC Current / AC Voltage / AC Current / Frequency.
Scale	-
Logo	ZIEGLER

Ordering example

Model & size	ZIEGLER VISTA 312 (size , 3^{1/2"})
Meter Type	Moving Iron
Measuring Range	AC Voltage. 0 to 500V
Scale	0 to 500V
Logo	ZIEGLER

Ziegler

Redefine Innovative Metering

Ziegler Instrumentation UK Ltd.

Central Buildings, Woodland close old woods Trading Estate, Torquay Devon, TQ2 7BB, United Kingdom
+441803 616 800 | info@ziegler-instrument.com | ziegler-instrument.com