

# Technical Datasheet

ZIEGLER SPLIT CORE

---

CURRENT TRANSFORMER

# ZIEGLER SPLIT CORE METERING CT

## CURRENT TRANSFORMER

### ZIS and ZIS-CS series Split Core CTs

The Split Core Current Transformers enable easy installation without dismantling the bus bar. These CTs are mostly helpful in tedious installations. These CTs are categorized in 2X versions as specified below.

#### Product Features

- Wide range of system current ratings
- No need to open the bus bar or cable for CT installation, drastically
- Save the termination time
- Hinged and wire seal-able terminal cover
- Various types of mounting options are available like wall mounting, bus bar mounting etc.
- Dual secondary connection facility giving access from both sides of transformers
- Class 0.5, 1 & 3
- Primary Current ratings 60A to 5000A
- Secondary current ratings 5A & 1A
- VA ratings available from 0.2VA to 45VA
- ISF value : 10, 15
- Transparent terminal cover in 155/80 series



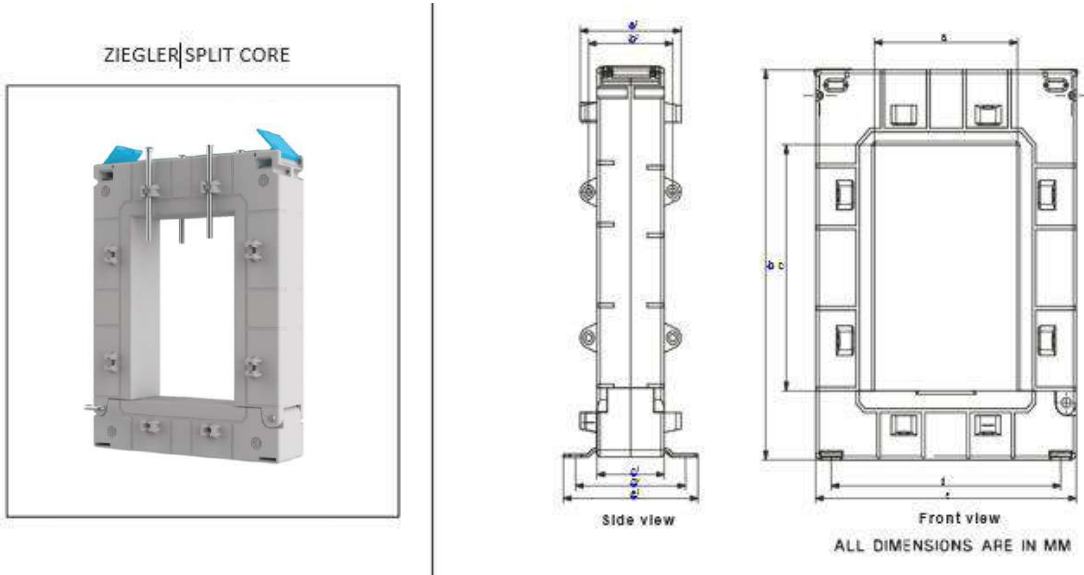
#### General Specifications :

Applicable Standard	IEC 61869 – 1&2
Case	Unfilled Polycarbonate, flame retardant and non-drip acc to UL 94 V-0
Connection	Two connections on each side. M4 screws with self lifting terminal clamp assembly and 1 connection on each side M4 screws with self lifting terminal clamp assembly
Insulation Class	E (120°C max)
System voltage	720V Max
Test voltage	4KV 50Hz for 1 minute
Operating Frequency	50Hz / 60Hz
Rated primary rating	100A to 5000A for ZIS series and 60A to 500A for ZIS CS series
Rated secondary rating	5A standard (1A on request)
Rated burden	1, 1.25, 1.5, 2.5, 3.75, 5, 7.5, 10, 12.5, 15, 20, 30, 45VA
Class of accuracy	0.5, 1 & 3
Operating temperature	-25 to +55°C
Storage temperature	-50 to +80°C
Thermal Short circuit current ( $I_{th}$ )	$60X I_n$
Dynamic Short circuit current ( $I_{dyn}$ )	$2.5X I_{th}$
Instrument Security Factor (FS)	2.5, 5, 10
Impulse withstand voltage	10kV (Peak)
Power Frequency withstand voltage	4kV (RMS)

# ZIEGLER SPLIT CORE METERING CT

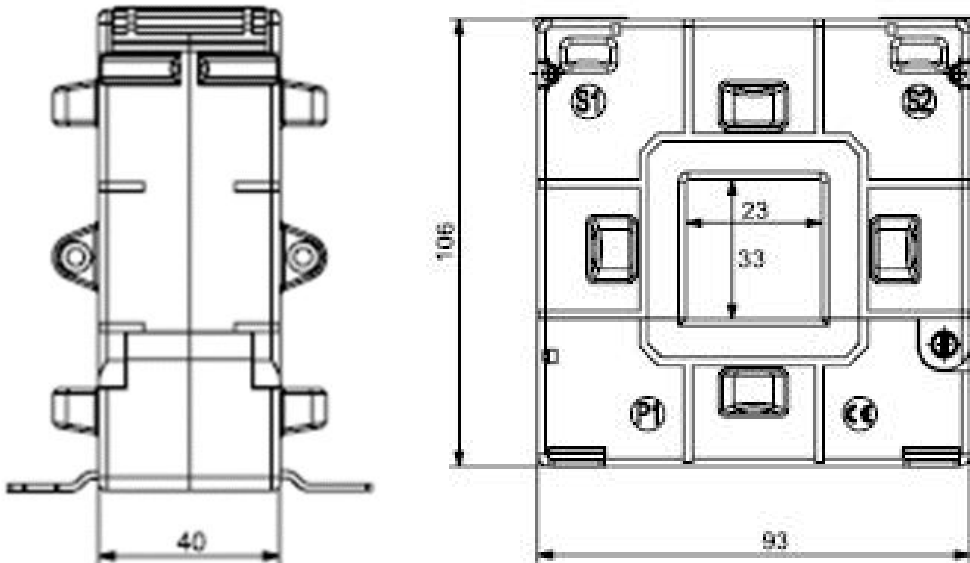
CURRENT TRANSFORMER

## ZIEGLER SPLIT CORE



Front View					
Model	a	b	c	d	e
ZIS 9.30 SB	23	106	33	75	93
ZIS 10.50 SD	43	125	55	90	108
ZIS 12.50 SB	55	158	85	106	125
ZIS 15.80 SB	85	198	125	136	155
ZIS 19.80 SE	85	245	172	177	195

Side View					
Model	a'	b'	c'	d'	e'
ZIS 9.30 SB	54	46	40	62	76
ZIS 10.50 SD	64	56	50	72	86
ZIS 12.50 SB	54	46	40	62	76
ZIS 15.80 SB	54	46	40	62	76
ZIS 19.80 SE	78	71	40	62	76



# ZIEGLER SPLIT CORE METERING CT

## CURRENT TRANSFORMER

### ZIS 9.30 SB

Primary Current	ZIS 9.30 SB		
	Accuracy Class		
	0.5	1	3
100A	-	1.5VA	3.5VA
125A	-	1.5VA	3.5VA
150A	-	1.75VA	3.75VA
200A	-	2.5VA	5VA
250A	-	3.75VA	6.25VA
300A	2.5VA	5VA	6.25VA
400A	3.75VA	6.25VA	10VA

### ZIS 10.50 SD

Primary Current	ZIS 10.50 SD	
	Accuracy Class	
	0.5	1
100A	-	1.5VA
125A	-	1.5VA
150A	-	1.75VA
200A	1.5VA	3.75VA
250A	2.5VA	5VA
300A	2.5VA	5VA
400A	5VA	7.5VA
500A	5VA	7.5VA
600A	6.25VA	10VA
750A	7.5VA	12.5VA
800A	7.5VA	12.5VA

### ZIS 12.50SB

Primary Current	ZIS 12.50 SB	
	Accuracy Class	
	0.5	1
250A	1VA	2.5VA
300A	1.5VA	3.75VA
400A	2.5VA	3.75VA
500A	3.75VA	5VA
600A	5VA	7.5VA
750A	7.5VA	10VA
800A	7.5VA	10VA
1000A	10VA	15VA
1200A	10VA	15VA
1250A	10VA	15VA
1500A	10VA	15VA
1600A	10VA	15VA
2000A	10VA	15VA

# ZIEGLER SPLIT CORE METERING CT

## CURRENT TRANSFORMER

### ZIS 15.80 SB

Primary Current	ZIS 15.80 SB	
	Accuracy Class	
	0.5	1
250A	1VA	2.5VA
300A	2.5VA	3.75VA
400A	2.5VA	3.75VA
500A	3.75VA	5VA
600A	5VA	7.5VA
750A	7.5VA	10VA
800A	7.5VA	10VA
1000A	10VA	15VA
1200A	15VA	30VA
1250A	15VA	30VA
1500A	20VA	45VA
1600A	20VA	45VA
2000A	20VA	45VA
2500A	25VA	45VA
3000A	30VA	45VA

### ZIS 19.80 SE

Primary Current	ZIS 19.80 SE	
	Accuracy Class	
	0.5	1
500A	1.25VA	5VA
600A	1.25VA	5VA
750A	5VA	10VA
800A	7.5VA	10VA
1000A	10VA	20VA
1200A	15VA	20VA
1250A	15VA	20VA
1500A	20VA	30VA
1600A	20VA	30VA
2000A	25VA	30VA
2500A	25VA	30VA
3000A	30VA	45VA
3200A	30VA	45VA
4000A	30VA	45VA
5000A	30VA	45VA

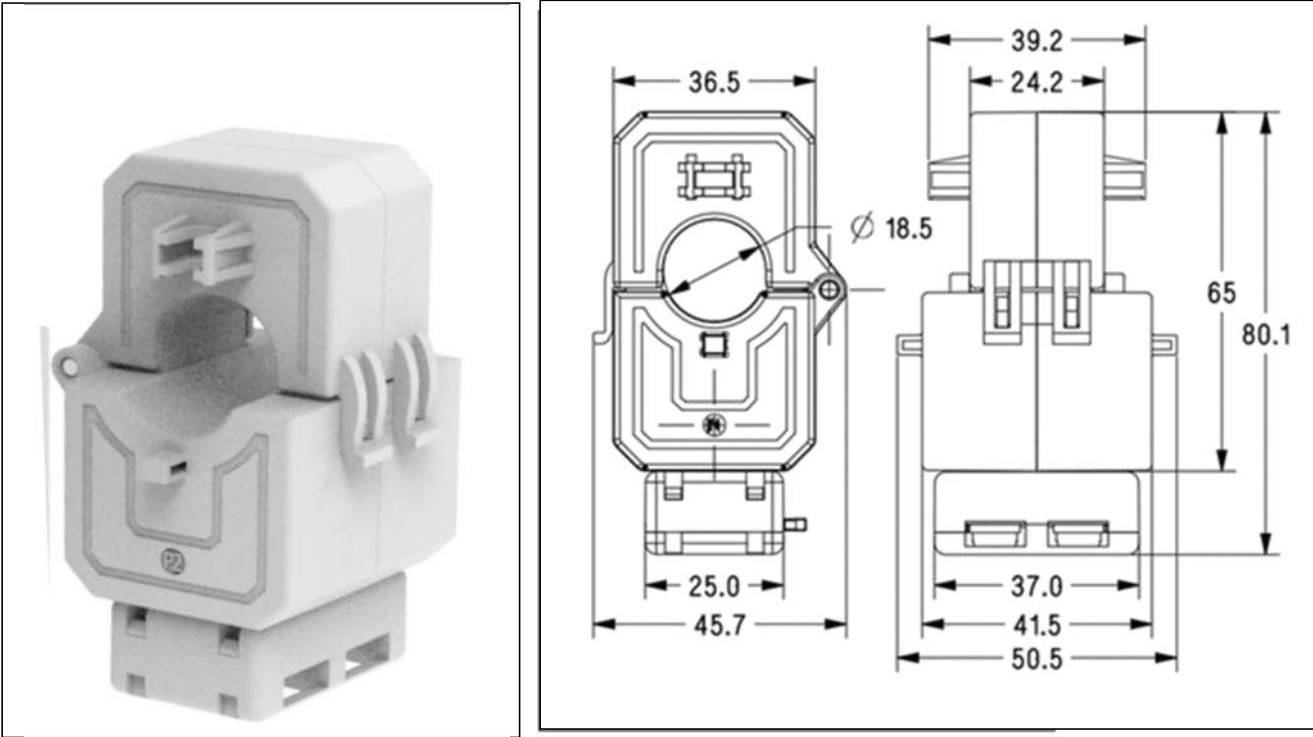
**Ordering Example:-** ZIS 15.80 SB250/5A Class 0.5 1VA.

# ZIEGLER SPLIT CORE METERING CT

CURRENT TRANSFORMER

## ZIEGLER COMPACT SPLIT CORE

ZIS 36-18 CS

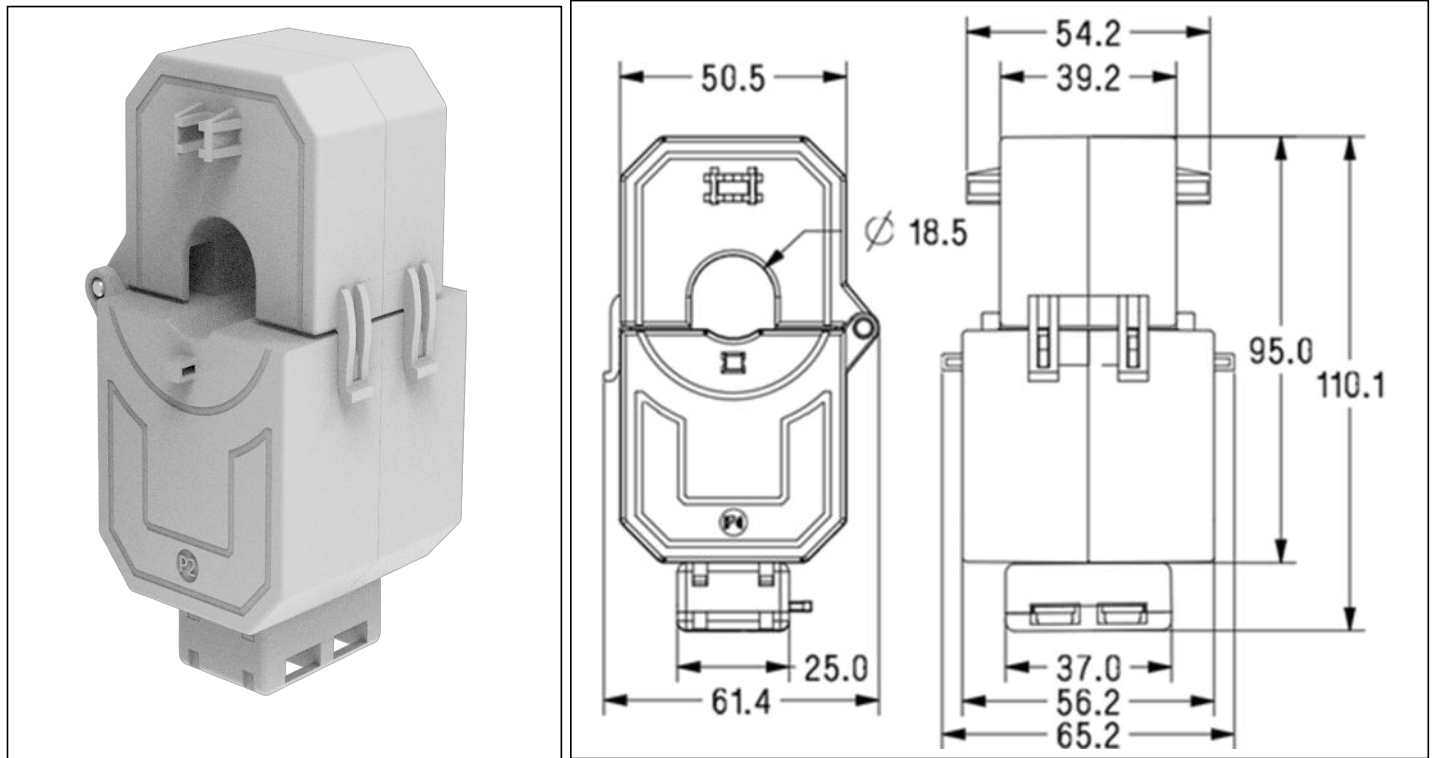


ZIS 36.18 CS					
Secondary 5A			Secondary 1A		
RATIO	VA	CLASS	RATIO	VA	CLASS
--	--	--	60/1	0.2	3
--	--	--	75/1	0.2	3
--	--	--	80/1	0.2	3
--	--	--	100/1	0.2	3

# ZIEGLER SPLIT CORE METERING CT

## CURRENT TRANSFORMER

### ZIS 50.18 CS

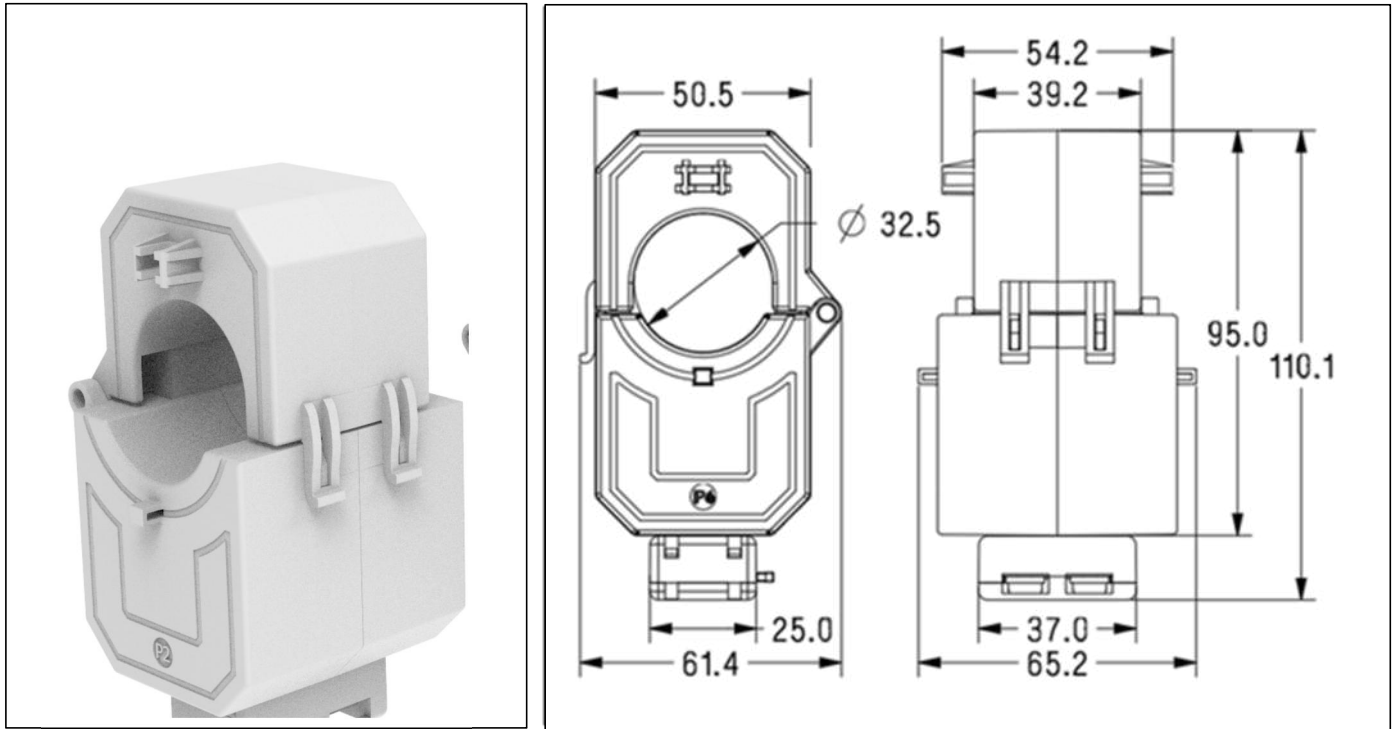


ZIS 50.18 C					
Secondary 5A			Secondary 1A		
RATIO	VA	CLASS	RATIO	VA	CLASS
--	--	--	100/1	0.2	3
--	--	--	125/1	0.2	3
150/5	0.2	1	150/1	0.2	1
200/5	0.2	1	200/1	0.2	1
250/5	1	1	250/1	1	1

# ZIEGLER SPLIT CORE METERING CT

CURRENT TRANSFORMER

ZIS 50.32 CS



ZIS 50.32 CS					
Secondary 5A			Secondary 1A		
RATIO	VA	CLASS	RATIO	VA	CLASS
--	--	--	200/1	0.2	3
250/5	0.2	1	250/1	0.2	1
300/5	0.2	1	300/1	0.2	1
400/5	0.2	1	400/1	0.2	1
500/5	0.2	1	500/1	0.2	1

Ordering Example:- ZIS 50.32 CS 250/5A Class 1



# Ziegler

Redefine Innovative Metering

**Ziegler Instrumentation UK Ltd.**

Central Buildings, Woodland close old woods Trading Estate, Torquay Devon, TQ2 7BB, United Kingdom

+441803 616 800 | [info@ziegler-instrument.com](mailto:info@ziegler-instrument.com) | [ziegler-instrument.com](http://ziegler-instrument.com)