

Ziegler

Redefine Innovative Metering

Technical Datasheet

ZAU PS 0220

DECOUPLING MODULE

ZAU PS 0220

DECOUPLING MODULE

The decoupling diode module supports redundant applications or to decouple power sources from each other as well as from the load.

Product Features

- Input - Output: 10 – 60 Vdc
- Output Current: 0 – 25 A max
- DIN Rail Mountable
- Extremely small size Switch Mode Technology



Technical Specifications

Input Data	
Input Voltage 1	10 – 60 Vdc
Input Voltage 2	10 – 60 Vdc
Input Current (Single)	1 x 25 A max
In Current (Dual Input Mode; 1+1 Redundancy)	2 x 12.5 A max
Peak Current	200 A for max. 10 ms
Reverse Current	25 mA max. per diode

When both inputs are used "Dual Input Mode" the output current results as the sum of the two inputs, max 25A. If used with only one input "Single Input Mode", both positive input terminals can be linked.

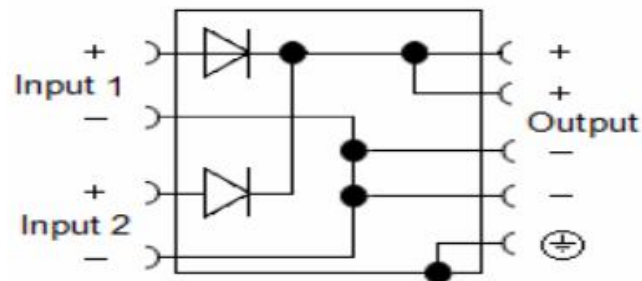
Output Data	
Output Voltage "Drop Out" $V_{in} - V_{out}$	0.9 (,max.) 0-25 A
Rated Current at 24 V 40°C (In)	25 A (permanent)
Rated Current at 24 V 50°C (In)	22 A (permanent)
Rated Current at 24 V 60°C (In)	20 A (permanent)
Current Short Circuit I_{cc}	60 A
Dissipation power load max (W)	12

ZAU PS 0220

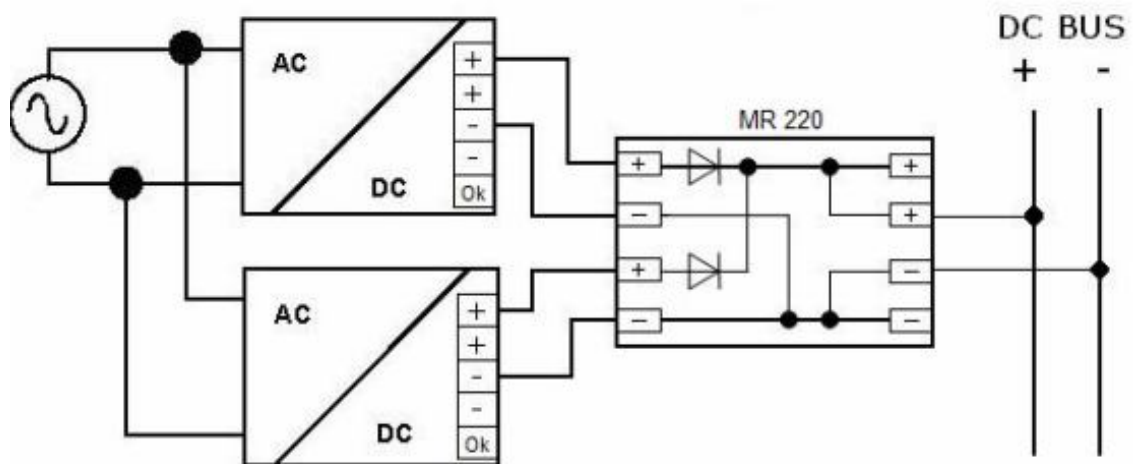
DECOUPLING MODULE

Wiring Diagram

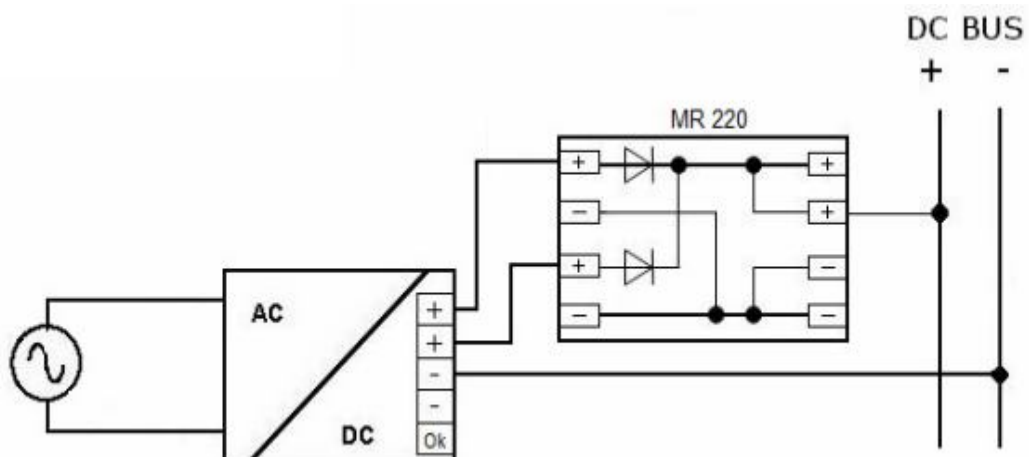
Block Diagram



Dual Input Mode (1+1 Redundancy)



Single Input Mode



ZAU PS 0220

DECOUPLING MODULE

Climatic Data

Ambient Temperature operation	-25°C to +70 °C (>60°C Derating 2.5%/°C)
Ambient Temperature Storage	-40°C up to +85 °C
Humidity at 25 °C, no condensation	95 % to 25 °C
Cooling	Convection

General Data

Fuse: Input or output (recommended)	35 A (MCB curve B)
Protection Class (EN/IEC 60529)	IP 20
Reliability: MTBF IEC 61709	> 5,00,000 hrs
Pollution Degree Environment	2
Connection Terminal Blocks Screw Type	2.5 mm ² (24 – 14 AWG)
Protection class	I with PE connected

Electrical Safety

According to IEC/EN 60950 (VDE 0805) EN 50178 (VDE 0160) for assembling device. The unit must be installed according to IEC/EN 60950. Input / Output separation: SELV EN60950-1 and PELV EN 60204-1. Double or reinforced insulation.

EMC Immunity

EN 61000-4-2, EN 61000-4-3, EN 61000-4-4, EN 61000-4-5, EN61000-4-6, EN61000-6-2

EMC Emission

EN61000-6-4, EN 61000-3-2

Standards Conformity

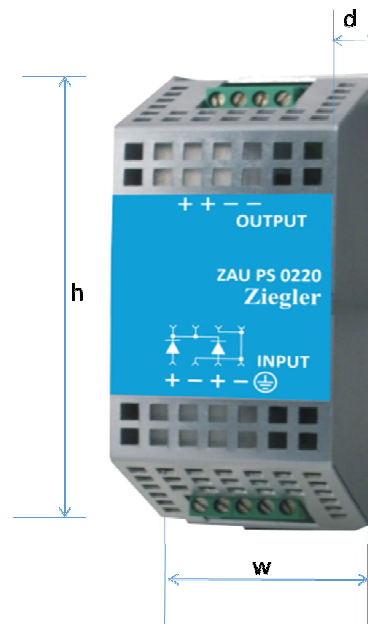
EN 60204-1 Safety of Electrical Equipment Machines.

Installation

Dimensional Details

W X h X d
50 X 120 X 50mm
All Dimensions are in mm

Weight – 0.4kG



Ziegler

Redefine Innovative Metering

Ziegler Instrumentation UK Ltd.

Central Buildings, Woodland close old woods Trading Estate, Torquay Devon, TQ2 7BB, United Kingdom
+44-1376 335 271 | info@ziegler-instrument.com | ziegler-instrument.com