

Ziegler

Redefine Innovative Metering

Technical Datasheet

ZIS CTXD

CT WITH IN-BUILT CONVERTER

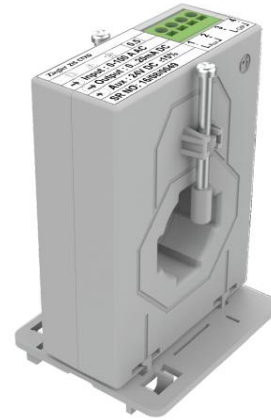
ZIS CTXD

CT WITH IN-BUILT CONVERTER

ZIS CTXD is unique combination of current transformer and transducer which measure current input and convert into 0/4...20mA DC output.

Product Features

- Average & True RMS measurement
- Accuracy Class – 0.5%
- Output Response Time <600ms
- DIN Rail / Wall mounting
- Measurement of AC current for frequency 50/60Hz
- High Output load resistance – 1000Ohm



Technical Specifications

ZIS CTXD	
Measuring Range (In)	0 ... 300 A AC or 0 ... 750 A AC (Refer Model Info Table)
Input Frequency Range	50/ 60 Hz
DC Current Output	4... 20 mA , 0...20 mA
Max. Burden Resistance at Current Output	R_B 750 Ω , R_B 1000 Ω ($U_H > 24$ V DC)
Current Limit Under Overload	< 30 mA
Accuracy (IEC 60688)	+/- 0.5 %
Max. Operating Voltage U_m	0.72 kV, U_{eff}
Isolation Test Voltage (IEC 61010-1)	6.4 kV AC , 50 Hz, 60 Seconds Primary Conductor Vs Measuring Output Housing Vs Measuring output and Auxiliary supply
Auxiliary Voltage	24 V DC, +/- 15% (external protection via fuse 250 mA / 250 V, fast)
Current Consumption	< 50 mA
Response Time	< 600ms
Installation Category	III
Thermal Nominal Continuous Rated Current	1.2 x In
Protection Class	IP20
Operating Temperature and Humidity	0 ... 70 °C, 0 ... 95% rH without condensation
Storage Temperature	-40 ... 90 °C
Max. Temperature of Primary Conductor	100° C

ZIS CTXD

CT WITH IN-BUILT CONVERTER

Applicable Technical Standards

- IEC 60688, 2012
- IEC 61010-1, 2010

Electric Connections

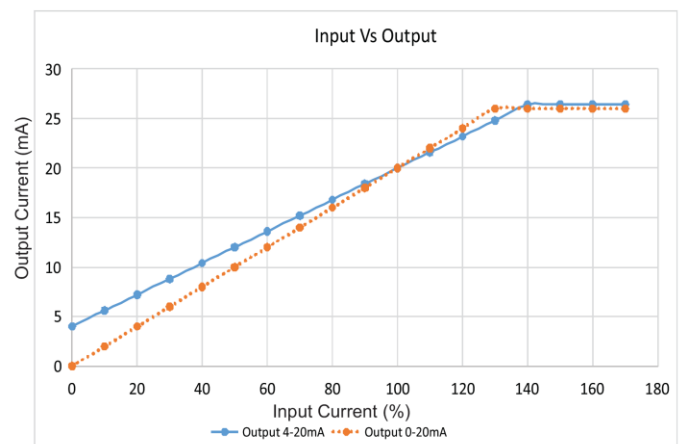
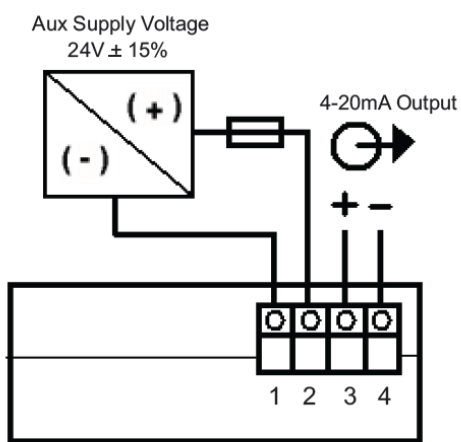
I _{out} -	I _{out} +	UH+	Ground
--------------------	--------------------	-----	--------

Spring clamp terminal

Connection cross sections:

0.08 ... 2.5 mm²

Connection Diagram



Dimensions

Model 70x 30 mm

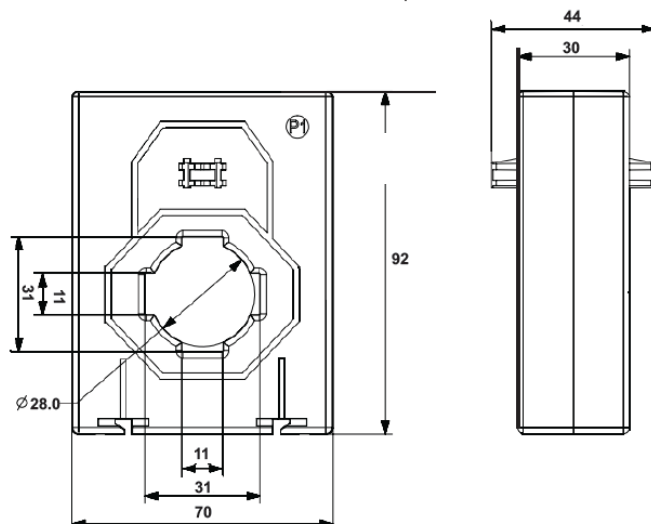
Transformer width: 70 mm

Transformer height: 92 mm

Transformer depth: 44 mm

Bus bar: 30x10 mm

Round conductor: 28 mm



ZIS CTXD

CT WITH IN-BUILT CONVERTER

Model 90x 40 mm

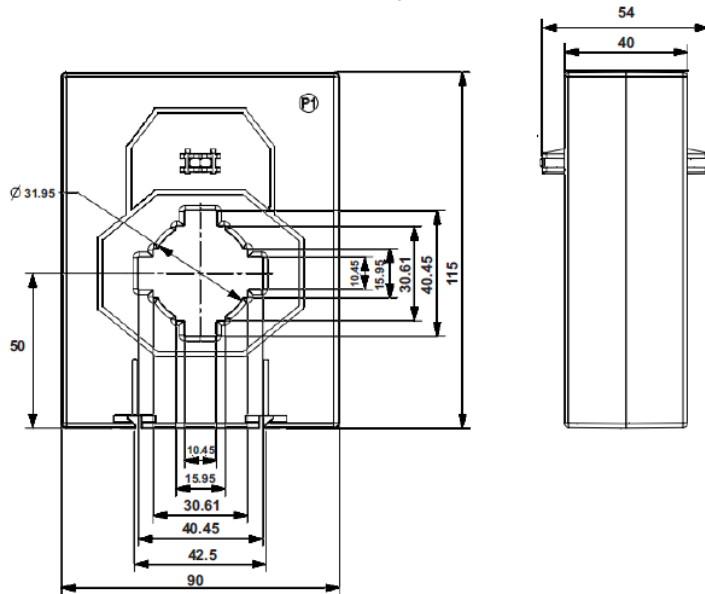
Transformer width: 90 mm

Transformer height: 115 mm

Transformer depth: 58 mm

Bus bar: 30x10 mm

Round conductor: 31.5 mm



Ordering Information

CT with Transducer		(✓)
Type	70x30 mm AVG	
	70x30 mm TRMS	
	90x40 mm AVG	
	90x40 mm TRMS	
Primary Current Ratio	50A*	
	100A*	
	150A	
	200A	
	250A	
	300A	
	400A**	
	500A**	
	600A**	
	750A**	
Output	4 ... 20 mA DC	
	0 ... 20 mA DC	
Power Supply	24V DC	
* Available only in Size 70 x 30 mm only		
** Available in Size 90 x 40 mm only		

Ziegler

Redefine Innovative Metering

Ziegler Instrumentation UK Ltd.

Central Buildings, Woodland close old woods Trading Estate, Torquay Devon, TQ2 7BB, United Kingdom

+441803 616 800 | info@ziegler-instrument.com | ziegler-instrument.com