

Ziegler

Redefine Innovative Metering

Technical Datasheet

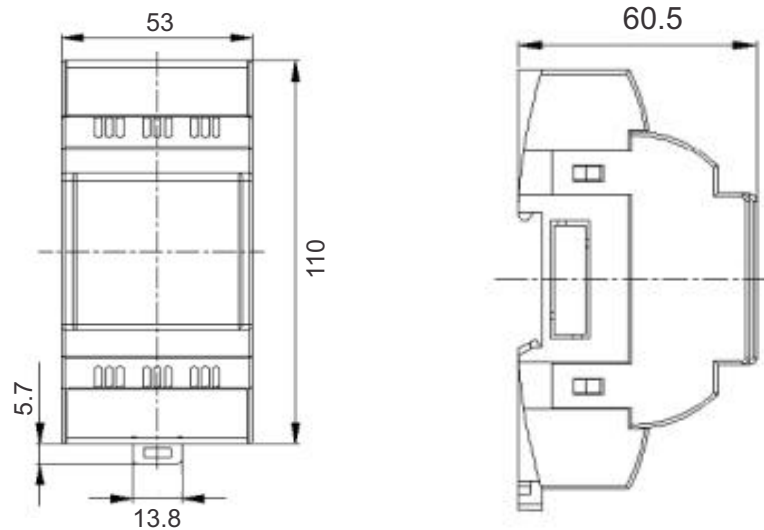
RJ12 Module

RJ12 Module

RM50 / RM10 : 3Ø 5A/1A to 100mA RJ12 Module

The RJ12 Module allows for the connections of up to three standard current transformer, or standard split-core current transformers (with 1A or 5A secondary), to a 100mA RJ12 input meter.

Dimensions Details:

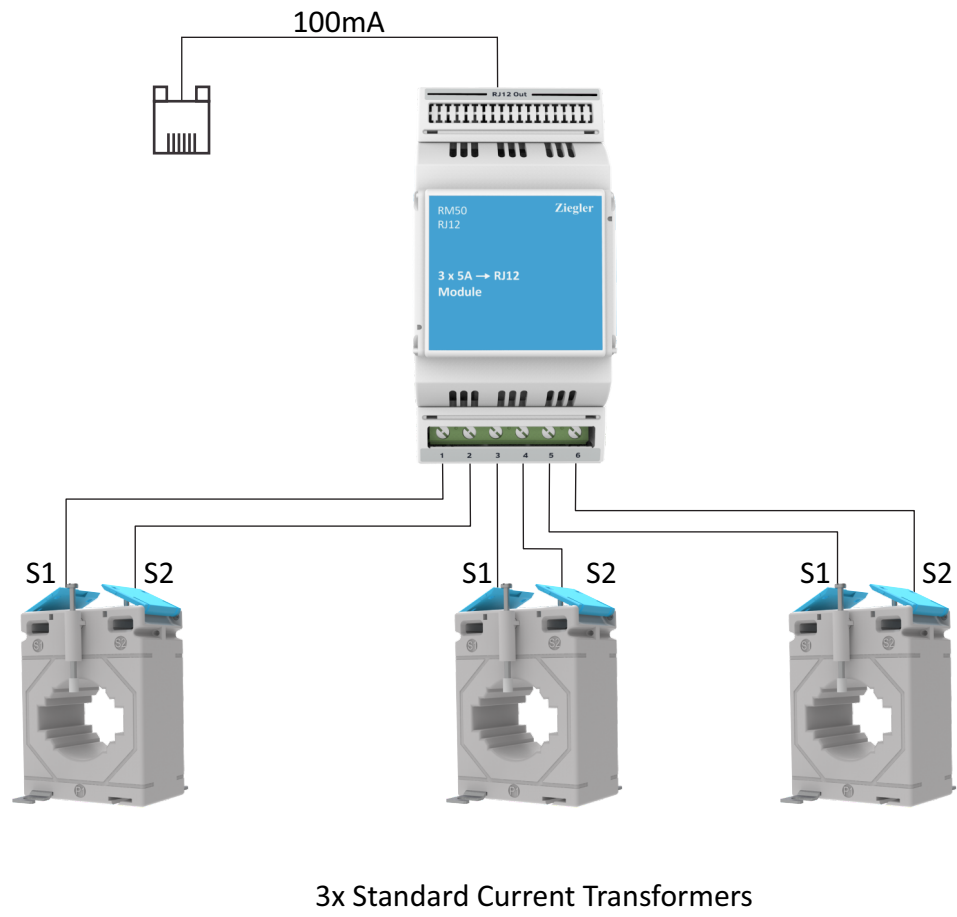


Technical Specifications:

Burden	0.3VA per phase (1A / 5A)
Accuracy	0.5%
Mounting	35mm DIN Rail (DIN50022)
Termination	CT to Adaptor - Rising clamp screw terminals Adaptor to Meter - RJ12 Patch Cable
Max input Current	120% of nominal current
Output Current	100mA
Operating Temperature	-20 °C to 70 °C
Storage Temperature	-25 °C to 75 °C
Isolation	3000Vrms

RJ12 Module

Connections:



RJ12 Module

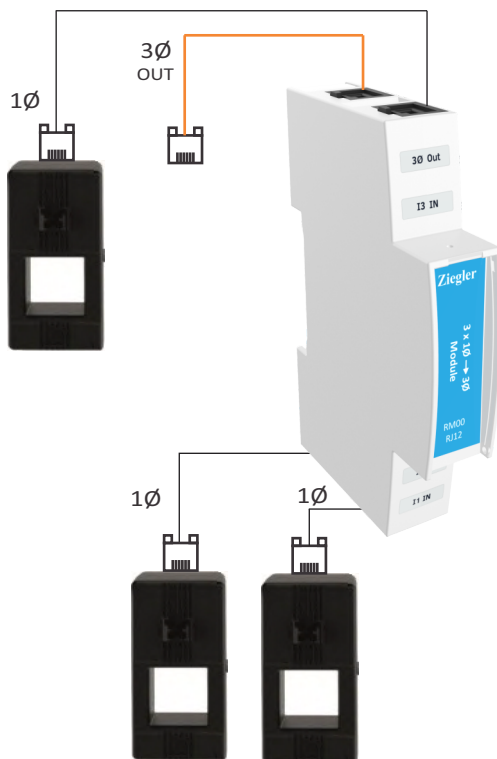
RM00 : Single Phase RJ12 to Three Phase RJ12 Module

The RJ12 Module combines the connections of up to three 1Ø RJ12 current transformers, to a single 3Ø RJ12 output for a RJ12 input meter..

Technical Specifications:

Dimensions Details:	
Mounting	35mm DIN Rail (DIN50022)
Termination	CT to Adaptor - RJ12 Patch Cable Adaptor to Meter - RJ12 Patch Cable
Operating	-20 °C to 70 °C
Storage Temperature	-25 °C to 75 °C

Connections:



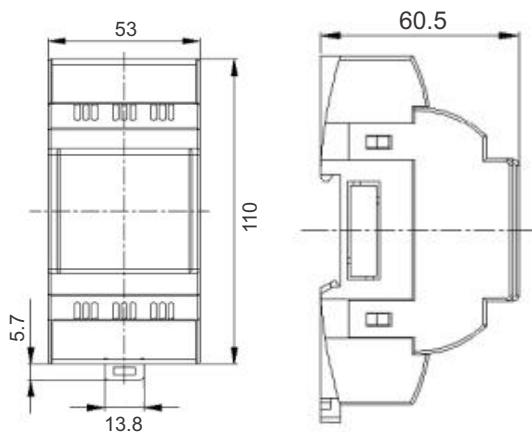
RJ12 Module

RM33 : CBCT to RJ12 Module

The RJ12 Module allows for the connections of up to three CBCT transformer, to a RJ12 input meter.

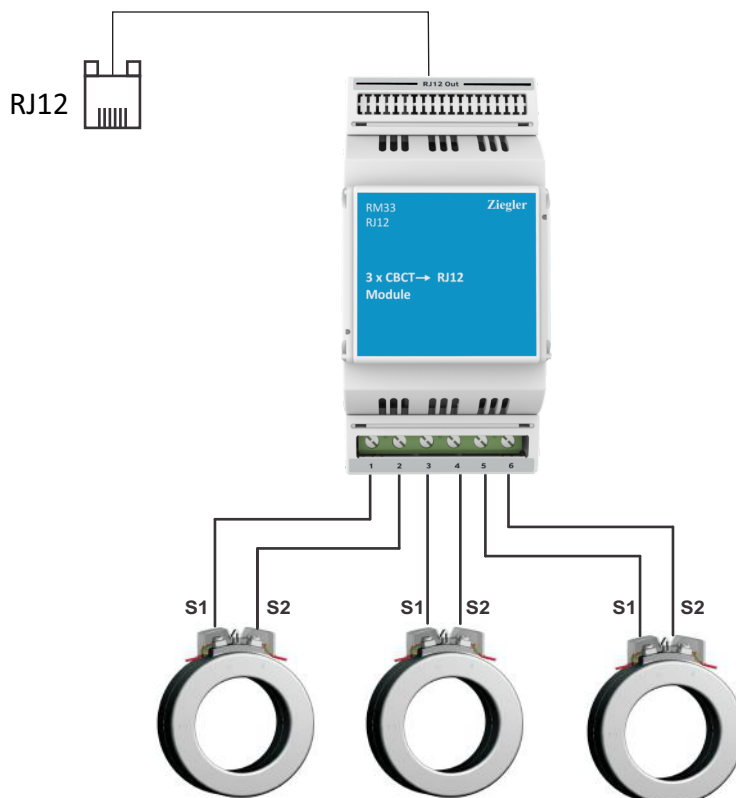
Technical Specifications:

Dimensions Details:



Mounting	35mm DIN Rail (DIN50022)
Termination	CT to Adaptor - RJ12 Patch Cable Adaptor to Meter - RJ12 Patch Cable
Operating Temperature	-20 °C to 70 °C
Storage Temperature	-25 °C to 75 °C

Connections:



RJ12 Module

Ordering Information

Description	Module
3 single phase CTs with 100mA to 100mA (via RJ12)	RM00
3 CTs with 1A to 100mA (via RJ12)	RM10
3 CTs with 5A to 100mA (via RJ12)	RM50
3x CBCT to RJ12	RM33

Ziegler

Redefine Innovative Metering

Ziegler Instrumentation UK Ltd.

Central Buildings, Woodland close old woods Trading Estate, Torquay Devon, TQ2 7BB, United Kingdom
+44-1376 335271 | info@ziegler-instrument.com | ziegler-instrument.com