

Ziegler

Redefine Innovative Metering

Technical Datasheet

ZIS RCT

Core Balance Current Transformer

ZIS RCT

Core Balance Current Transformer

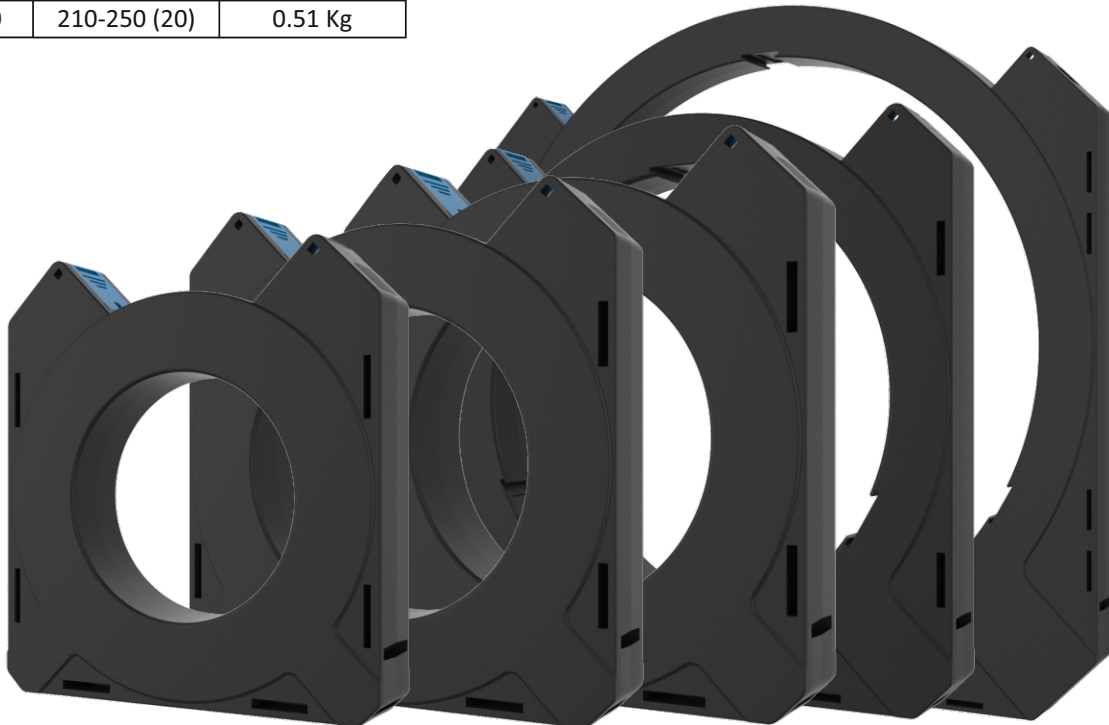
ZIS RCT is a Core Balance Current Transformer used to detect & measure leakage current passing through the electrical system. Further the secondary output of the RCT is connected to protection device such as Earth Leakage Relay to protect the installation & personnel from possible hazards.

Product Features

- Conformity to Standard IEC 61869-1
- Compact design, Reliable and accurate.
- Detection of earth leakage current.
- Common wall mounting clamp for all sizes.
- Sealable cap for secondary terminal connections.
(Maximum sealing wire diameter should be 1.8mm)

Product Sizes and Weights:

Name	Size	Weight
ZIS RCT 38	38-71 (20)	0.12 Kg
ZIS RCT 57	57-97 (20)	0.15 Kg
ZIS RCT 70	70-109 (20)	0.18 Kg
ZIS RCT 120	120-153 (20)	0.29 Kg
ZIS RCT 210	210-250 (20)	0.51 Kg



ZIS RCT

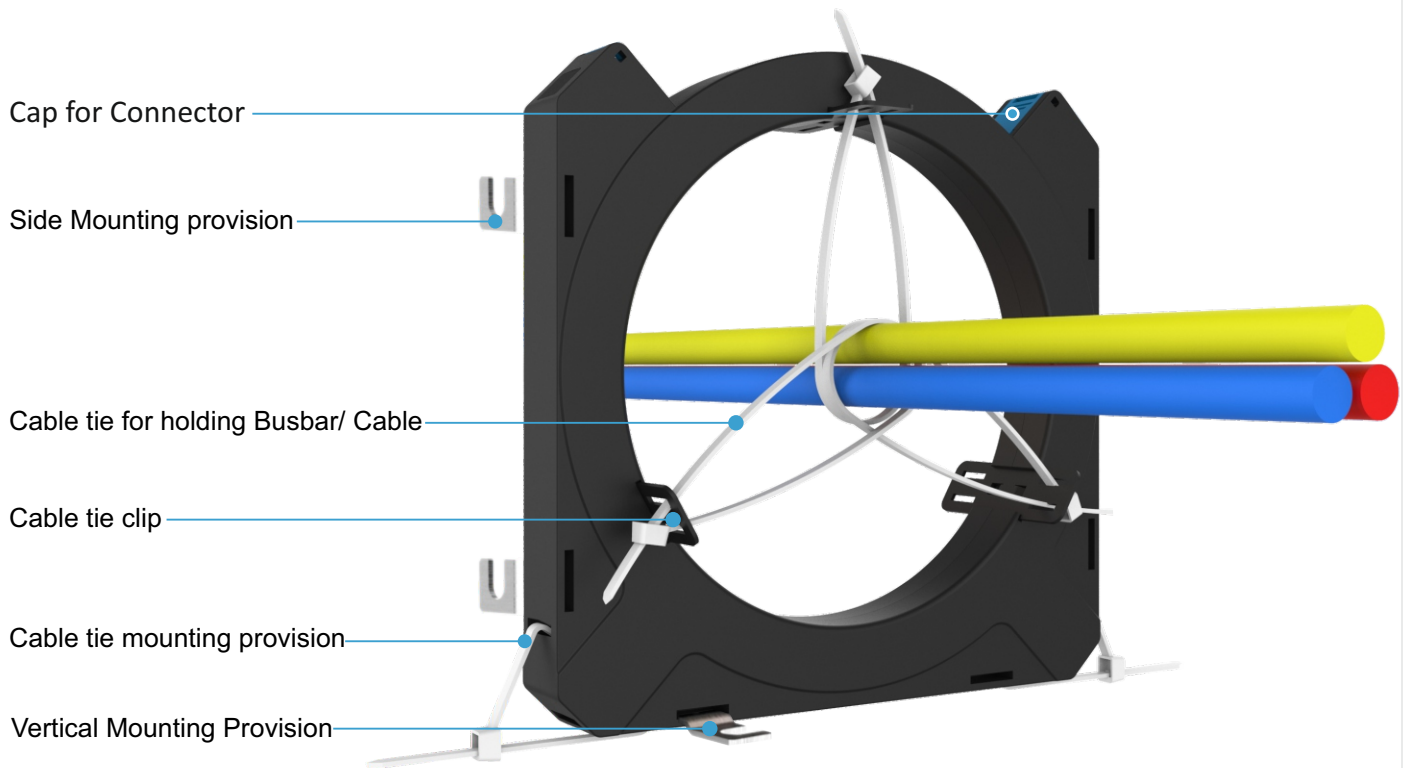
Core Balance Current Transformer

Technical Specifications:

Insulation Coordination
According to IEC 60664 - 1
Case
Nylon 6, 20% GF, FR (30) Black
Connection : a) Value b) Wire Range
Screw Type terminal connection
M2.5, 0.4Nm
0.5 ~ 2.5mm ² (suitable for pin type lug)
CT Ratio
600:1
Maximum Operating Voltage (Um)
0.72 KV Maximum.
Test Voltage
3kV, 50 Hz for 1 minute.
Operating Frequency
50/60 Hz.
Input Current
30 mA - 30 A
Rated Continuous Thermal Current (Icth)
100 A
Thermal Short Circuit Current (Ith)
60 x In
Dynamic Short Circuit Current (Idyn)
2.5 x Ith
Ambient Temperature
-25°C to 55°C
Storage Temperature
-50°C to 80°C
Distance between ELR & CBCT
20 meter Max.
Accuracy Class
3
Secondary Terminal
Protected to IP20

ZIS RCT

Core Balance Current Transformer



Model ↓ / Features →	Mounting clamp for vertical mounting	Mounting clamp for Horizontal mounting	Cable Tie for vertical mounting	Cable Tie for Busbar Mounting	Terminal Cap
ZIS RCT 38	✓	✗	✓	✗	✓
ZIS RCT 57	✓	✓	✓	✗	✓
ZIS RCT 70	✓	✓	✓	✗	✓
ZIS RCT 120	✓	✓	✓	✓	✓
ZIS RCT 210	✓	✓	✓	✓	✓

ZIS RCT

Core Balance Current Transformer

Product Features:

- **Cap for Connector**

Protective cap for connectors on either side of the CT ensures that the terminal is well covered from external entities. The cap also contains sealing.

- **Side Mounting Provision**

RCT can be mounted both horizontally as well as vertically considering the practical challenges occurred while on site installation.

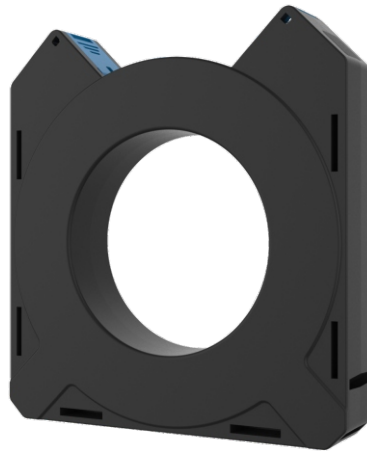
- **Cable tie Clips**

Cable tie clips are located on the CT to ensure that the busbar is centrally aligned so as to get absolute output. The Cable tie clip should be ordered separately

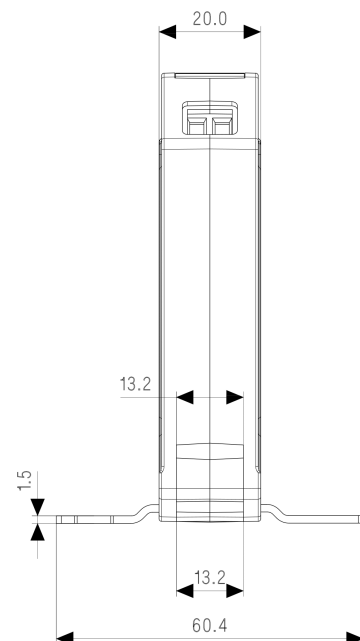
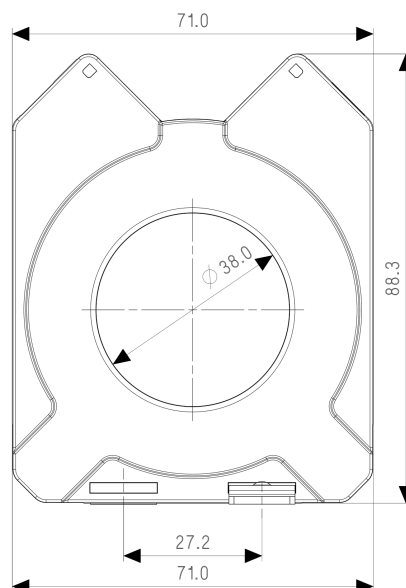
- **Vertical Cable Tie Mounting**

Vertical mounting is basically provided in all categories of CT, although vertical mounting with the help of cable tie gives more flexibility while on site installation.

ZIS RCT 38



DIMENSIONAL DETAILS:

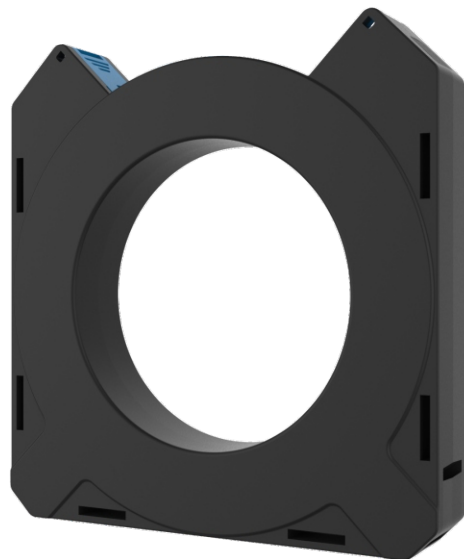


Ordering Code : CB08-0101000000ZG

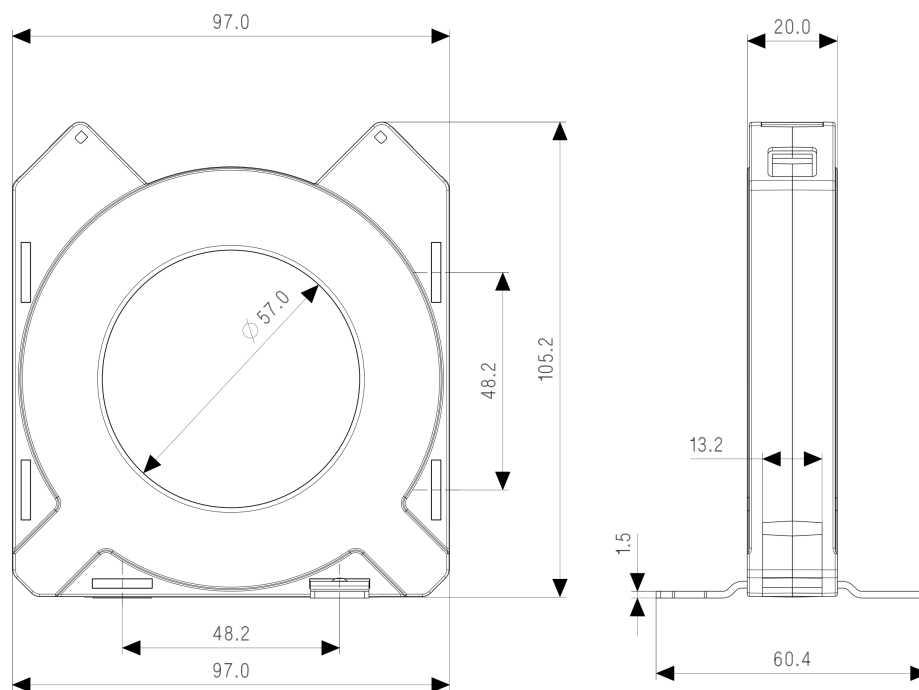
ZIS RCT

Core Balance Current Transformer

ZIS RCT 57



DIMENSIONAL DETAILS:

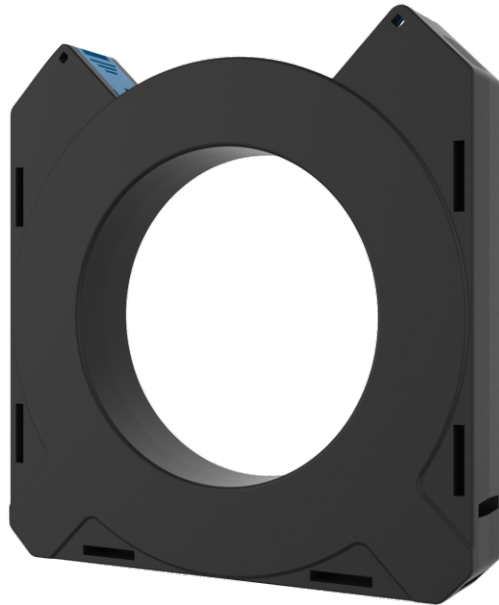


Ordering Code : CB09-0101000000ZG

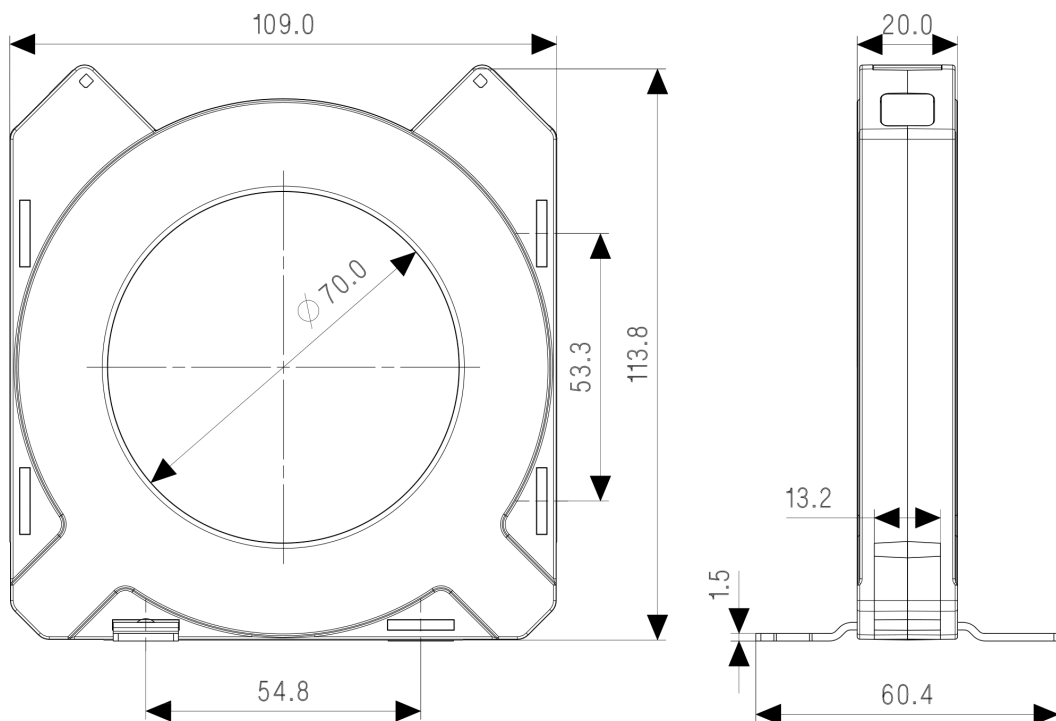
ZIS RCT

Core Balance Current Transformer

ZIS RCT 70



DIMENSIONAL DETAILS:



Ordering Code : CB10-0101000000ZG

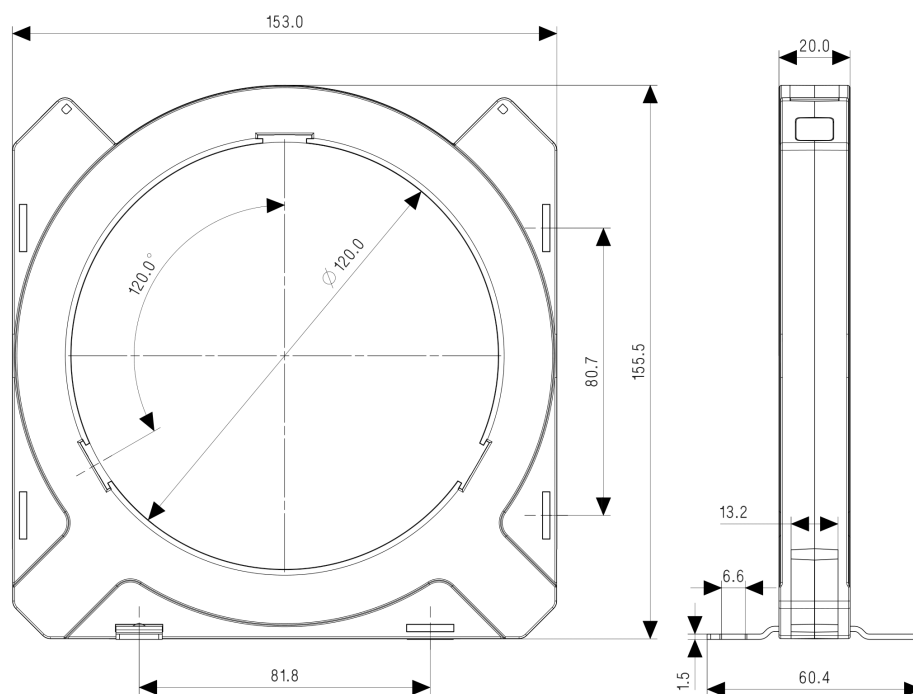
ZIS RCT

Core Balance Current Transformer

ZIS RCT 120



DIMENSIONAL DETAILS:



Ordering Code : CB11-01010000000ZG

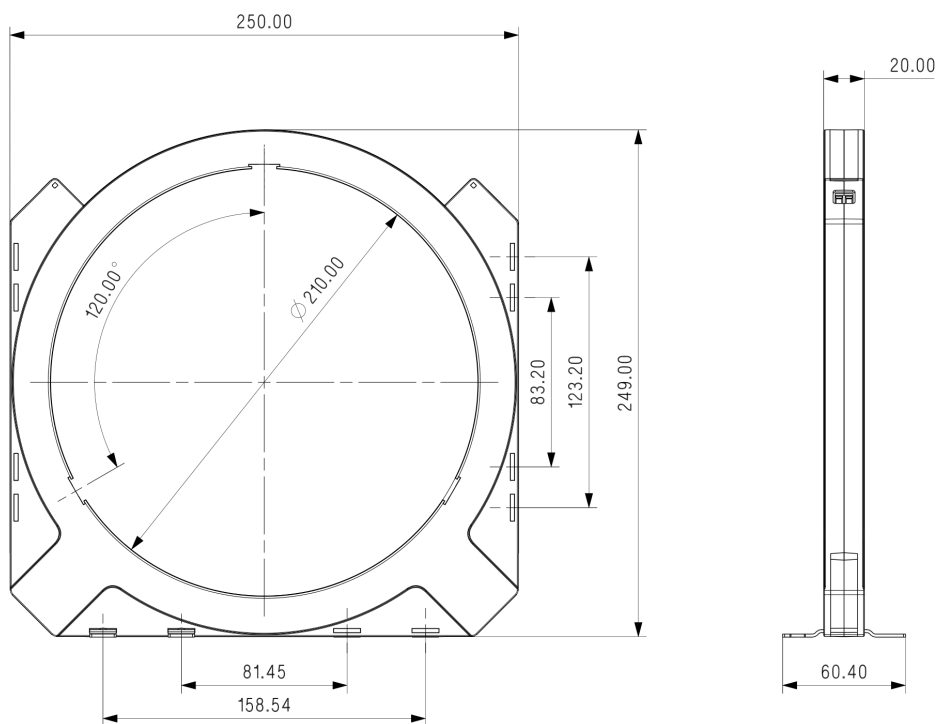
ZIS RCT

Core Balance Current Transformer

ZIS RCT 210



DIMENSIONAL DETAILS:

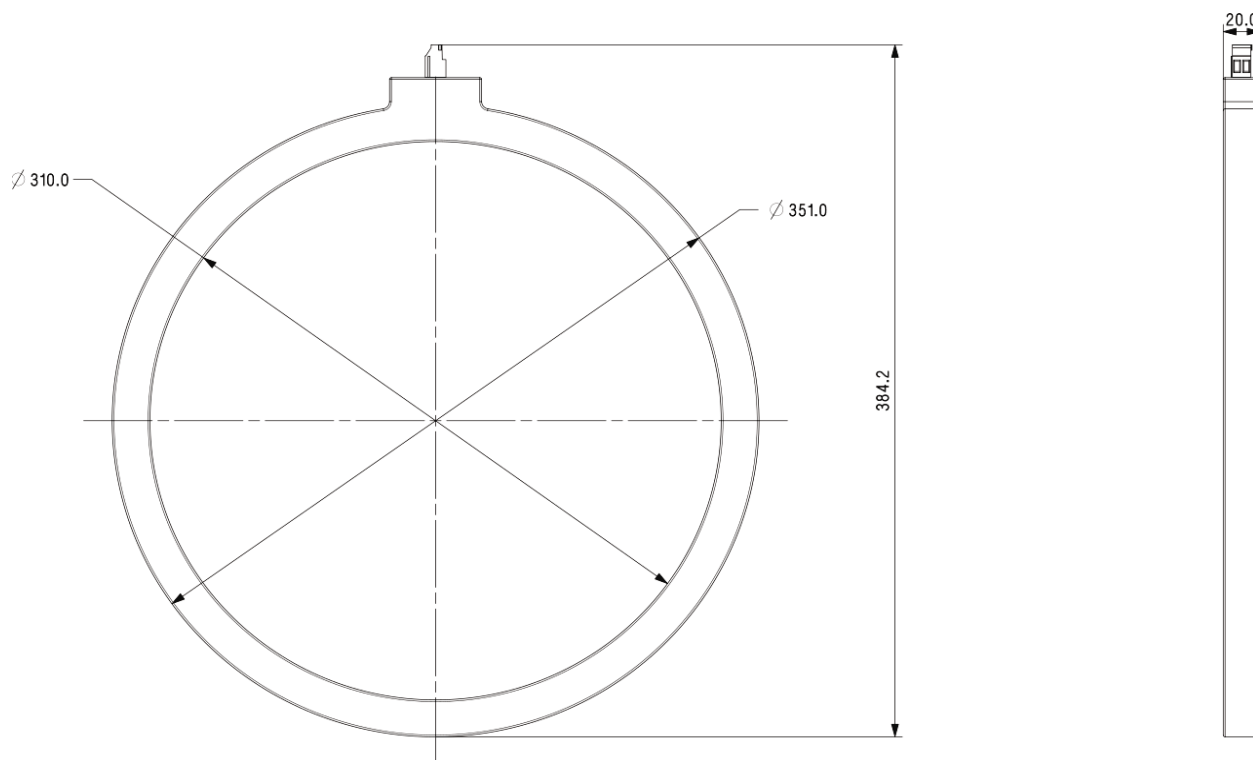


Ordering Code : CB12-01010000000ZG

ZIS RCT

Core Balance Current Transformer

ZIS RCT 310



Note : The above given RCT comes with a tape winding and not in Plastic Case.

Ordering Code : XT01-3317055N00000

Ziegler

Redefine Innovative Metering

Ziegler Instrumentation UK Ltd.

Central Buildings, Woodland close old woods Trading Estate, Torquay Devon, TQ2 7BB, United Kingdom
+44-1376 335271 | info@ziegler-instrument.com | ziegler-instrument.com