

# Ziegler

Redefine Innovative Metering

# Technical Datasheet

## ZIS RCT

---

Core Balance Current Transformer

# ZIS RCT

## Core Balance Current Transformer

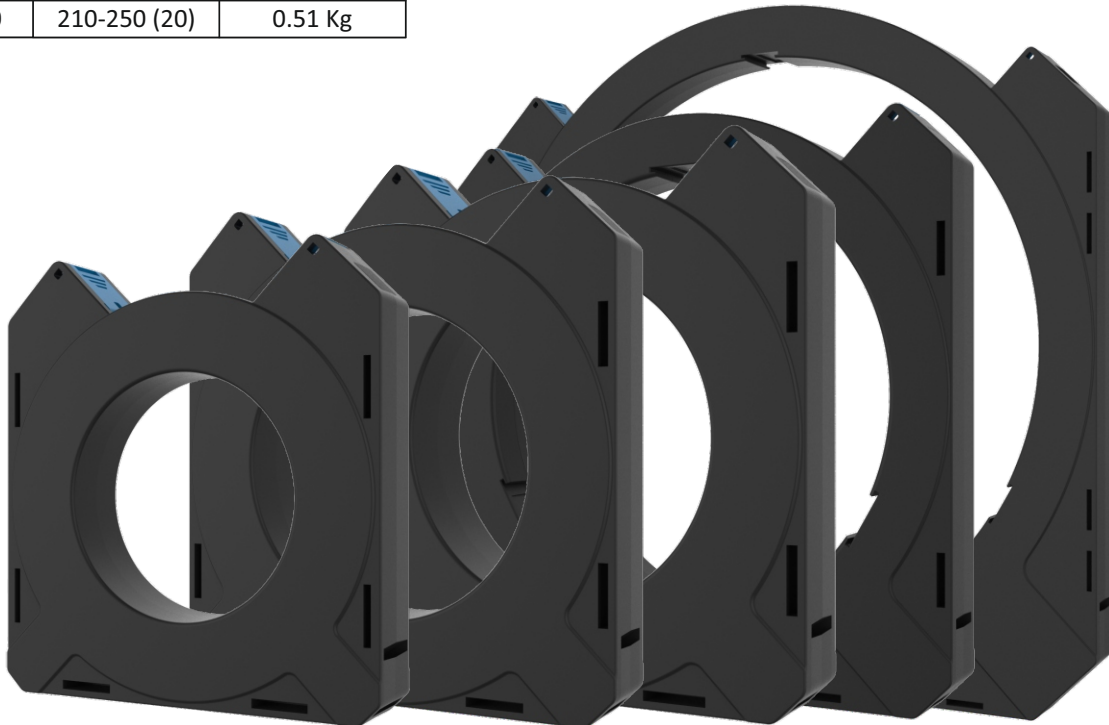
ZIS RCT is a Core Balance Current Transformer used to detect & measure leakage current passing through the electrical system. Further the secondary output of the RCT is connected to protection device such as Earth Leakage Relay to protect the installation & personnel from possible hazards.

### Product Features

- Conformity to Standard IEC 61869-1
- Compact design, Reliable and accurate.
- Detection of earth leakage current.
- Common wall mounting clamp for all sizes.
- Sealable cap for secondary terminal connections.  
(Maximum sealing wire diameter should be 1.8mm)

### Product Sizes and Weights:

Name	Size	Weight
ZIS RCT 38	38-71 (20)	0.12 Kg
ZIS RCT 57	57-97 (20)	0.15 Kg
ZIS RCT 70	70-109 (20)	0.18 Kg
ZIS RCT 120	120-153 (20)	0.29 Kg
ZIS RCT 210	210-250 (20)	0.51 Kg



# ZIS RCT

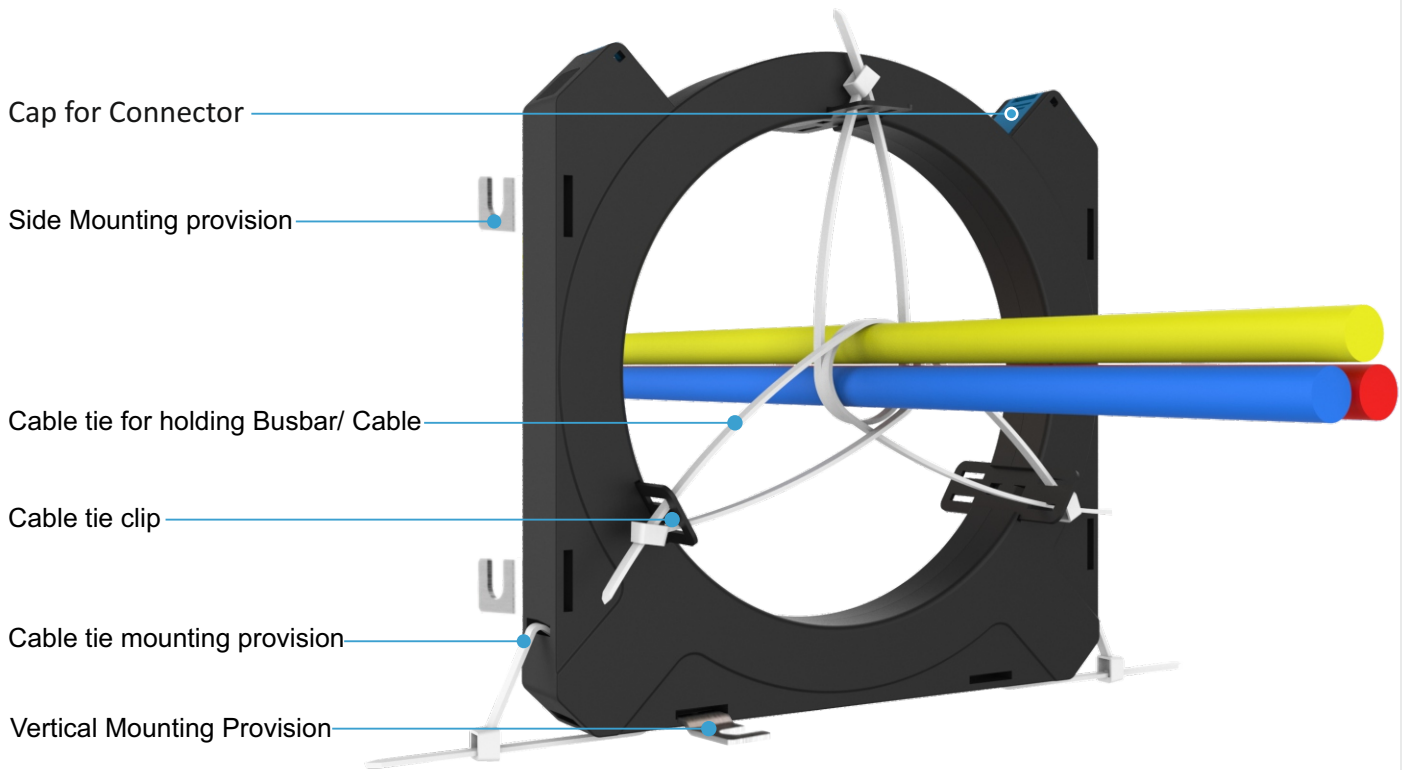
## Core Balance Current Transformer

### Technical Specifications:

<b>Insulation Coordination</b>
According to IEC 60664 - 1
<b>Case</b>
Nylon 6, 20% GF, FR (30) Black
<b>Connection : a) Value b) Wire Range</b>
Screw Type terminal connection
M2.5, 0.4Nm
0.5 ~ 2.5mm <sup>2</sup> (suitable for pin type lug)
<b>CT Ratio</b>
600:1
<b>Maximum Operating Voltage (Um)</b>
0.72 KV Maximum.
<b>Test Voltage</b>
3kV, 50 Hz for 1 minute.
<b>Operating Frequency</b>
50/60 Hz.
<b>Input Current</b>
30 mA - 30 A
<b>Rated Continuous Thermal Current (Icth)</b>
100 A
<b>Thermal Short Circuit Current (Ith)</b>
60 x In
<b>Dynamic Short Circuit Current (Idyn)</b>
2.5 x Ith
<b>Ambient Temperature</b>
-25°C to 55°C
<b>Storage Temperature</b>
-50°C to 80°C
<b>Distance between ELR &amp; CBCT</b>
< 1 meter
<b>Accuracy Class</b>
3
<b>Secondary Terminal</b>
Protected to IP20

# ZIS RCT

## Core Balance Current Transformer



Model ↓ / Features →	Mounting clamp for vertical mounting	Mounting clamp for Horizontal mounting	Cable Tie for vertical mounting	Cable Tie for Busbar Mounting	Terminal Cap
ZIS RCT 38	✓	✗	✓	✗	✓
ZIS RCT 57	✓	✓	✓	✗	✓
ZIS RCT 70	✓	✓	✓	✗	✓
ZIS RCT 120	✓	✓	✓	✓	✓
ZIS RCT 210	✓	✓	✓	✓	✓

# ZIS RCT

## Core Balance Current Transformer

### Product Features:

- **Cap for Connector**

Protective cap for connectors on either side of the CT ensures that the terminal is well covered from external entities. The cap also contains sealing.

- **Side Mounting Provision**

RCT can be mounted both horizontally as well as vertically considering the practical challenges occurred while on site installation.

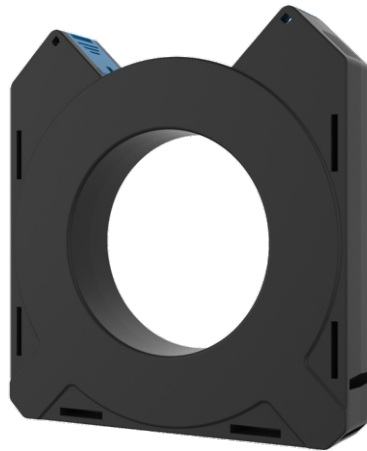
- **Cable tie Clips**

Cable tie clips are located on the CT to ensure that the busbar is centrally aligned so as to get absolute output. The Cable tie clip should be ordered separately

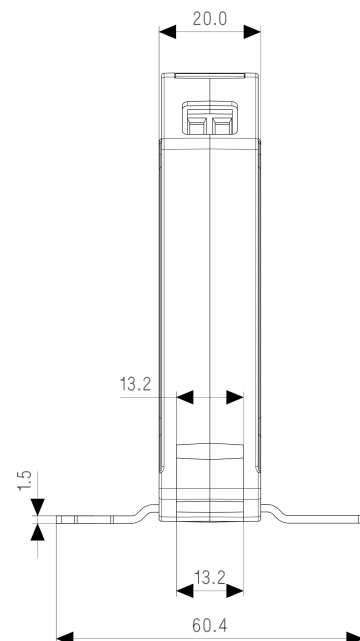
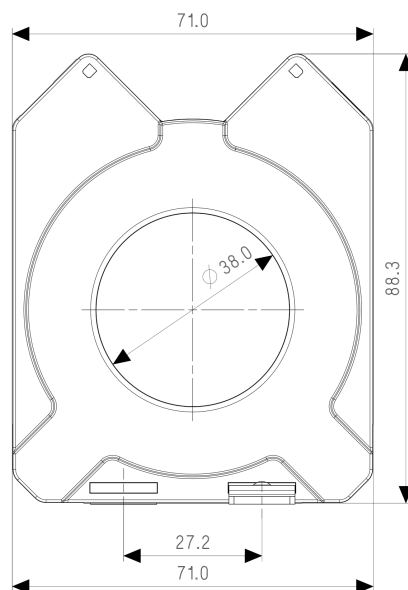
- **Vertical Cable Tie Mounting**

Vertical mounting is basically provided in all categories of CT, although vertical mounting with the help of cable tie gives more flexibility while on site installation.

ZIS RCT 38



### DIMENSIONAL DETAILS:

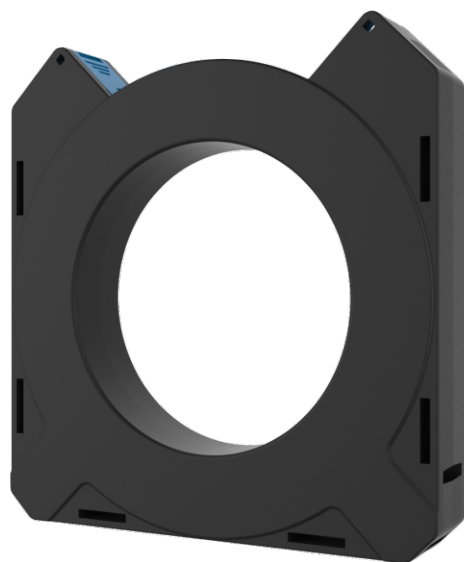


Ordering Code : CB08-0101000000ZG

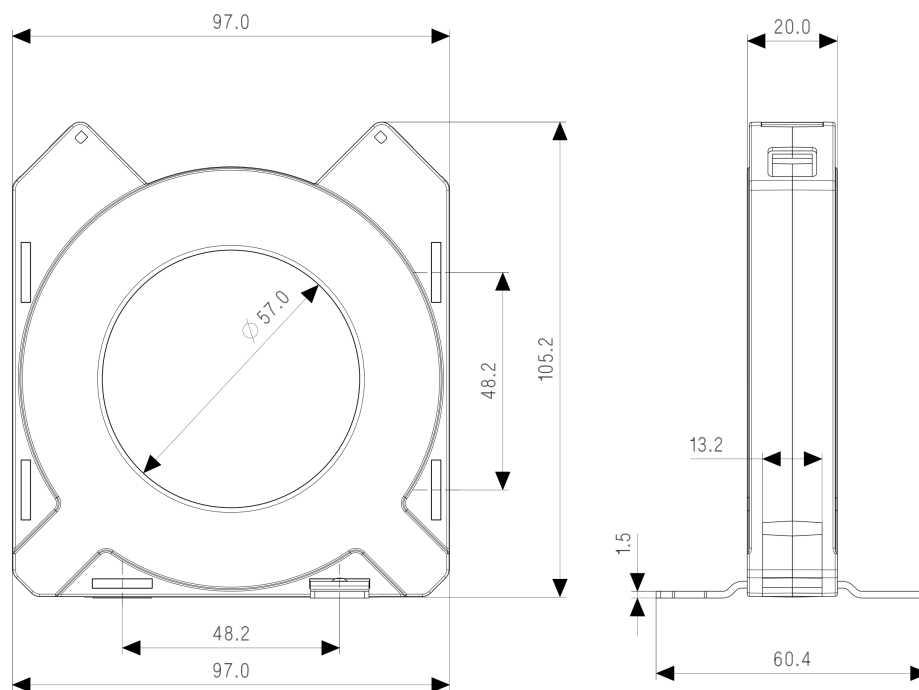
# ZIS RCT

## Core Balance Current Transformer

ZIS RCT 57



DIMENSIONAL DETAILS:



Ordering Code : CB09-0101000000ZG

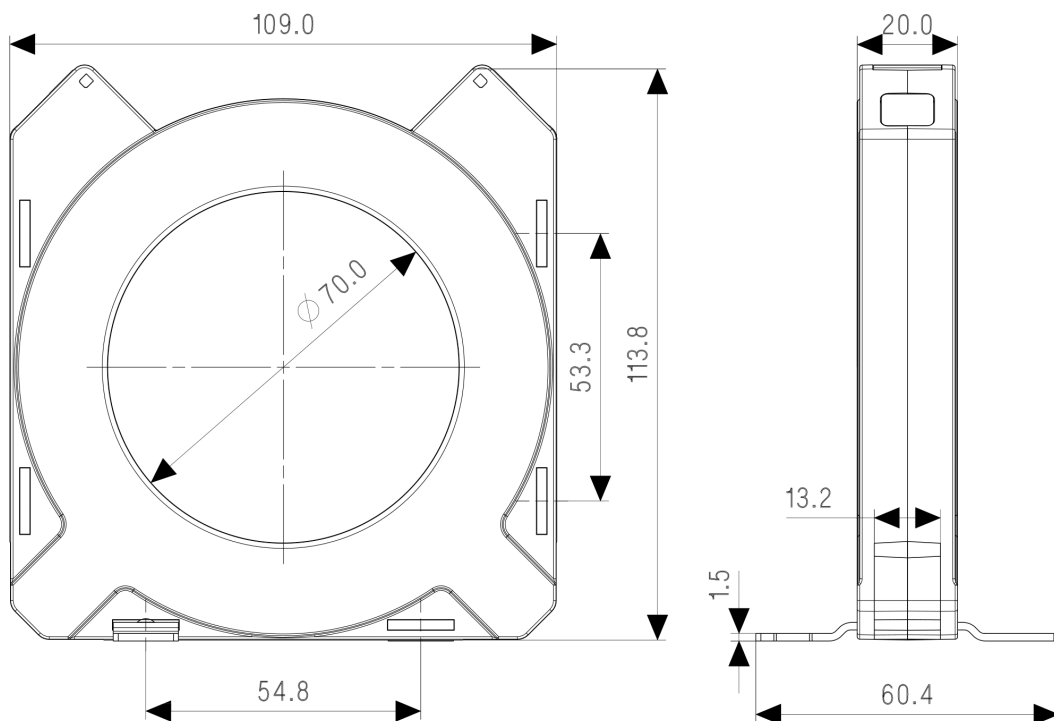
# ZIS RCT

## Core Balance Current Transformer

ZIS RCT 70



DIMENSIONAL DETAILS:



Ordering Code : CB10-0101000000ZG

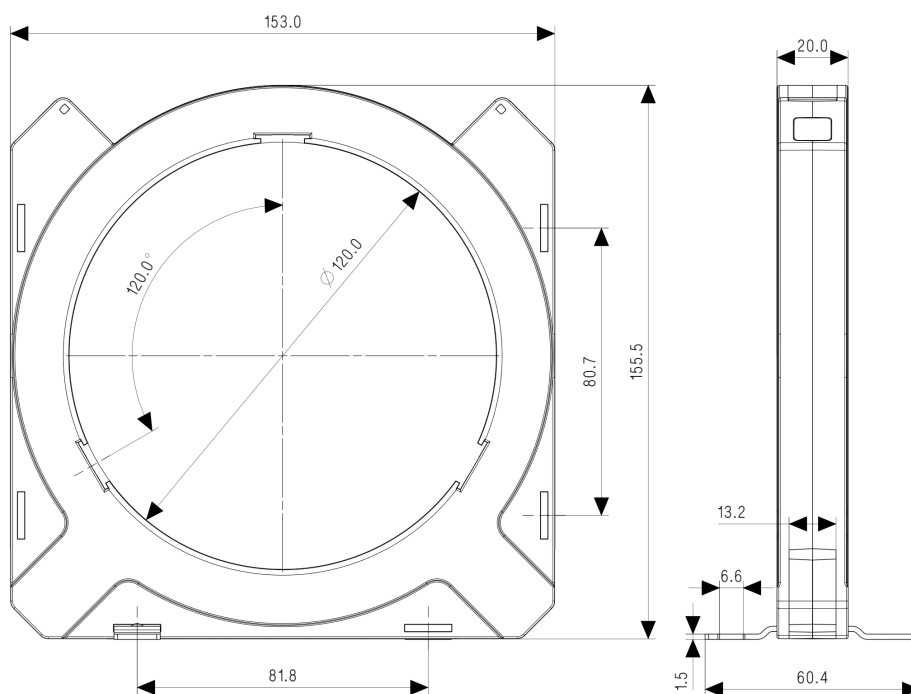
# ZIS RCT

## Core Balance Current Transformer

ZIS RCT 120



DIMENSIONAL DETAILS:



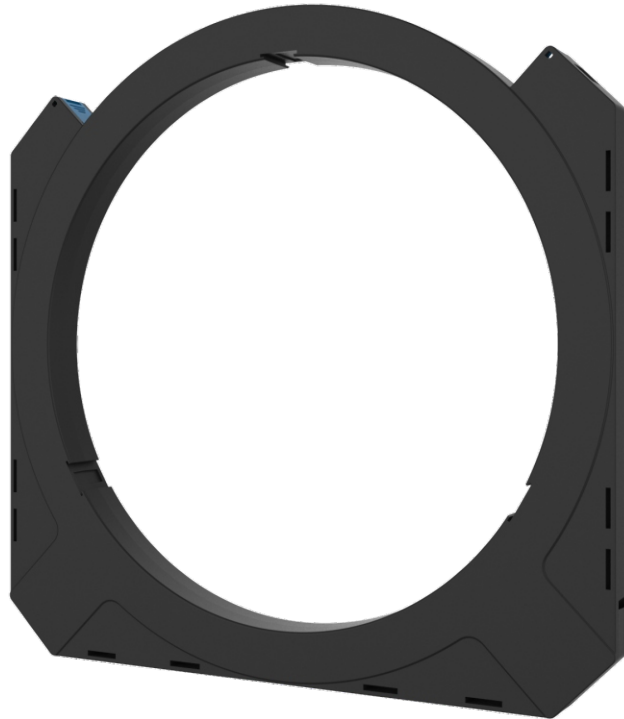
Ordering Code : CB11-01010000000ZG



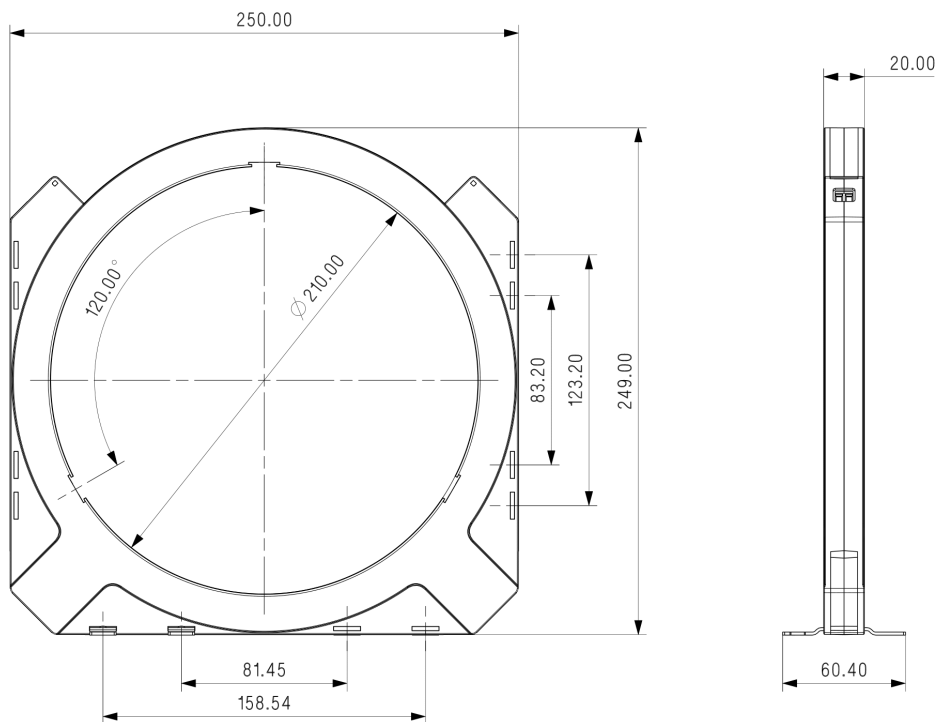
# ZIS RCT

## Core Balance Current Transformer

ZIS RCT 210



DIMENSIONAL DETAILS:



Ordering Code : CB12-01010000000ZG

# Ziegler

Redefine Innovative Metering

**Ziegler Instrumentation UK Ltd.**

Central Buildings, Woodland close old woods Trading Estate, Torquay Devon, TQ2 7BB, United Kingdom  
+44-1376 335271 | [info@ziegler-instrument.com](mailto:info@ziegler-instrument.com) | [ziegler-instrument.com](http://ziegler-instrument.com)