

Ziegler

Redefine Innovative Metering

Technical Datasheet

RESIN CAST METERING / PROTECTION CT

CURRENT TRANSFORMER

RESIN CAST METERING/PROTECTION CT

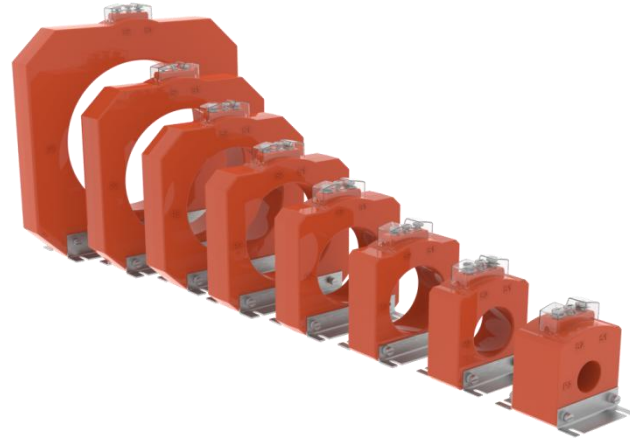
CURRENT TRANSFORMER

RESIN CAST METERING CT

Resin Cast CTs are used mainly for outdoor applications considering their construction being epoxy casted. These come in metering and protection CT.

Product Features

- Wide range of system current ratings
- Primary Current ratings 100A to 5000A
- VA ratings available from 2.5VA to 15VA
- Metallic foot or wall mounting
- Class 0.5, 1
- Secondary Current ratings 5A & 1A
- ISF value : 5, 10,15
- Transparent terminal cover provides IP 20 Protection to terminal



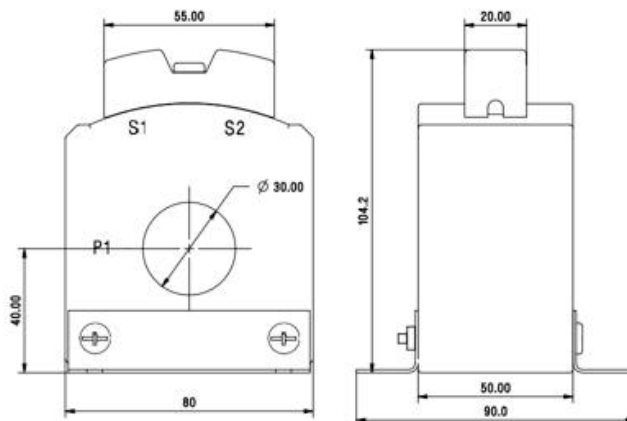
General Specification

Applicable standard :-	IEC 61869-1 & 2
Case :-	Epoxy Resin Cast
Insulation class :-	E (120°C max)
Test voltage :-	3KV 50 Hz for 1 minute.
Operating frequency :-	50Hz
Rated Primary current :-	100A to 5000A
Rated secondary current :-	5A (Optional 1 A)
Continuous current :-	1.2X Rated current
Rated system voltage :-	720V
Operating temperature range:-	-20 to +45°C
Storage temperature range:-	-50 to +80°C
Accuracy Class	0.5,1
Rated insulation level	0.72/3KV

RESIN CAST METERING/PROTECTION CT

CURRENT TRANSFORMER

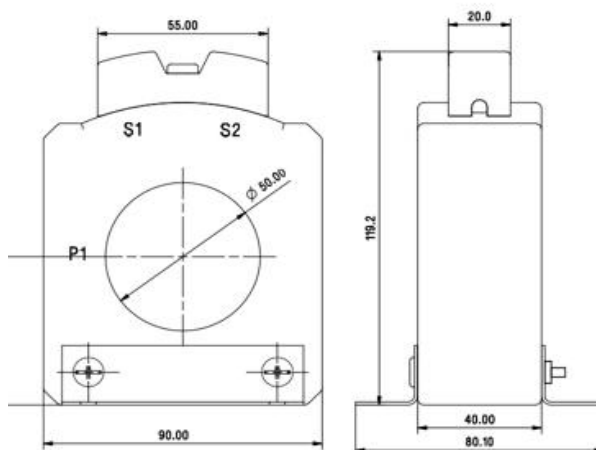
Ziegler ZRC 8.30D Series



ZRC 8.30D (80/30 (50))

Accuracy Class	0.5	1
Primary Current	VA	VA
60/5	-	1.5
100/5	2.5	5
125/5	2.5	5
150/5	3.75	5
160/5	3.75	5

Ziegler ZRC 9.50B Series



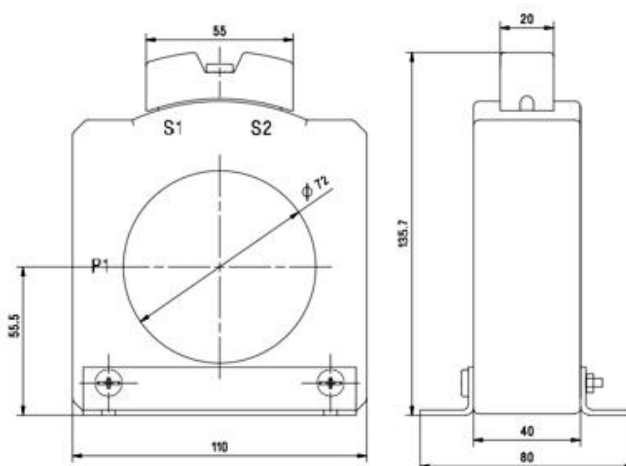
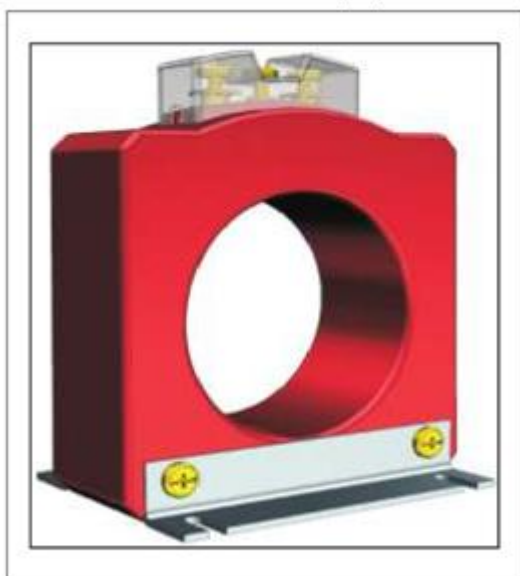
ZRC 9.50B (90/50 (40))

Accuracy Class	0.5	1
Primary Current	VA	VA
200/5	3.75	7.5
250/5	3.75	10
300/5	5	10
320/5	5	10

RESIN CAST METERING/PROTECTION CT

CURRENT TRANSFORMER

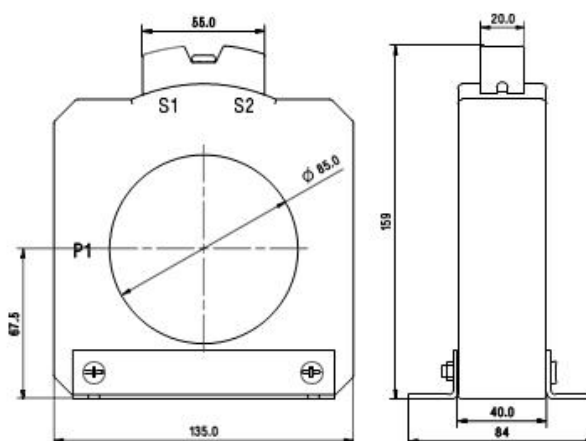
Ziegler ZRC 11.72B Series



ZRC 11.72B (110/72 (40))

Accuracy Class	0.5	1
Primary Current	VA	VA
400/5	5	10
500/5	7.5	15
600/5	15	15
630/5	15	15

Ziegler ZRC 13.85B Series



ZRC 13.85B (135/85 (40))

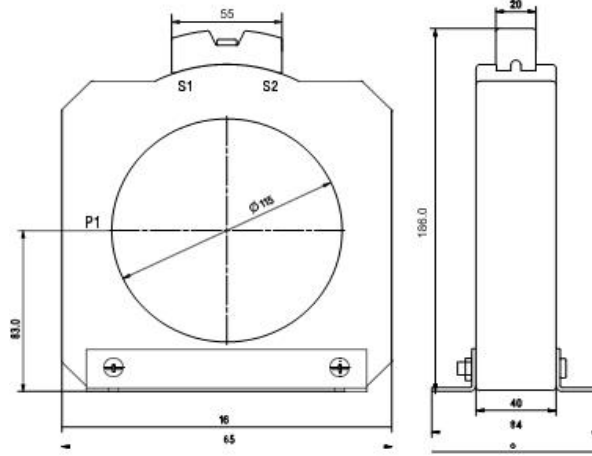
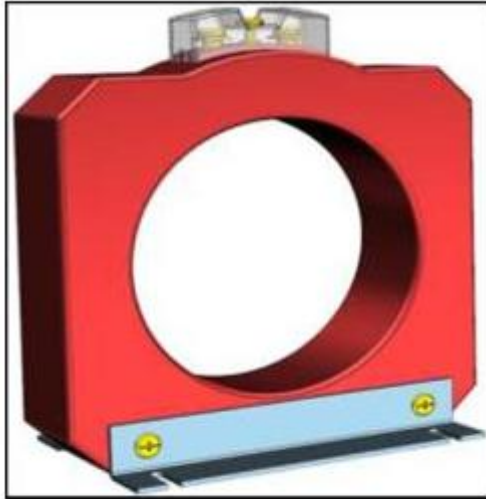
Accuracy Class	0.5	1
Primary Current	VA	VA
800/5	15	15
1000/5	15	15
1200/5	15	15

RESIN CAST METERING/PROTECTION CT

CURRENT TRANSFORMER

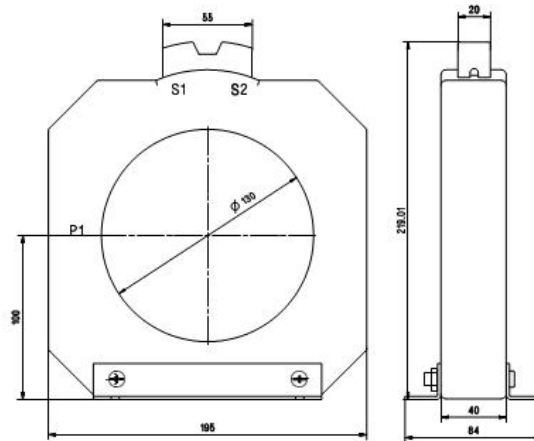
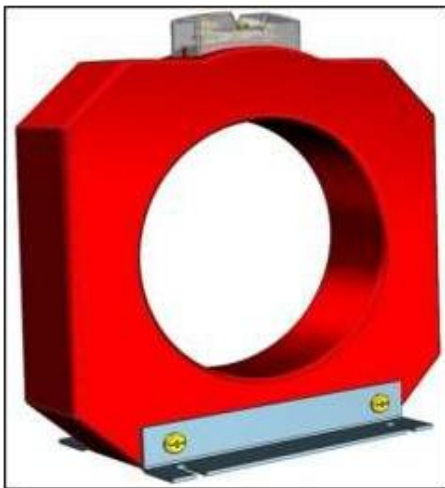
1250/5	15	15
--------	----	----

Ziegler ZRC 16.11B Series



ZRC 16.11B (165/115 (40))		
Accuracy Class	0.5	1
Primary Current	VA	VA
1500/5	15	15
1600/5	15	15
2000/5	15	15

Ziegler ZRC 19.13 B Series

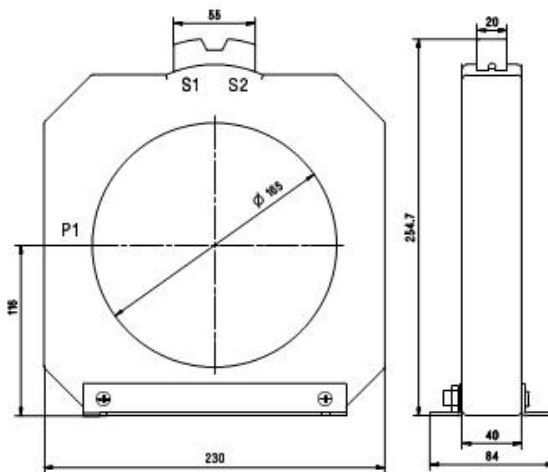
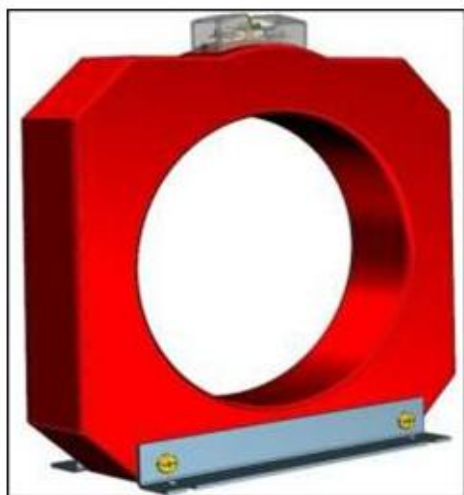


ZRC 19.13B (195/130 (40))		
Accuracy Class	0.5	1
Primary Current	VA	VA
2500/5	15	15
3000/5	15	15
3200/5	15	15

RESIN CAST METERING/PROTECTION CT

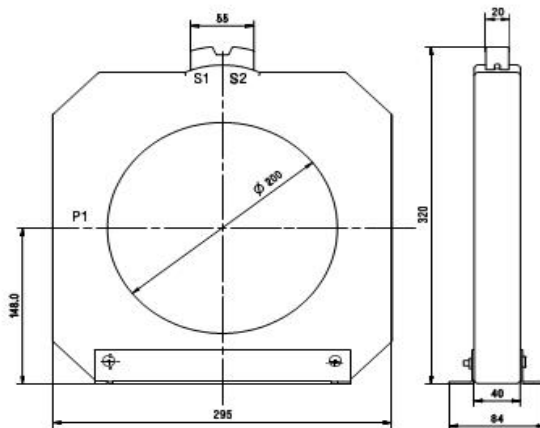
CURRENT TRANSFORMER

Ziegler ZRC 23.16 B Series



ZRC 23.16B (230/165 (40))		
Accuracy Class	0.5	1
Primary Current	VA	VA
3000/5	15	15
3200/5	15	15

Ziegler ZRC 29.20 B Series



ZRC 29.20B (290/200 (40))		
Accuracy Class	0.5	1
Primary Current	VA	VA
4000/5	15	15
5000/5	15	15

RESIN CAST METERING/PROTECTION CT

CURRENT TRANSFORMER

Ordering Information

XRCX	XX	X	XX	X	X	XX	XXXX
80/30 (50) - XRC1 90/50 (40) - XRC2 110/72 (40) - XRC3 135/85 (40) - XRC4 165/115 (40) - XRC5							
Primary current 100A.. 5000A	01						
Secondary 1A or 5A		1/5					
Burden 2.5VA..... 15VA			01				
Accuracy Class 1 or 0.5				1/5			
Company code Ziegler Other					G B		
Customer Specifications						00	
Reserved							0000

Sr. No.	Ordering code	Description
1	XRC1-221041G000000	RC CT 80/30/50 60/1A 1.5VA CL1
2	XRC3-071031G000000	RC CT 110/72/41 400/1A 15VA CL1

RESIN CAST METERING/PROTECTION CT

CURRENT TRANSFORMER

RESIN CAST PROTECTION CT

Resin Cast CTs are used mainly for outdoor applications considering their construction being epoxy casted. These come in metering and protection CT.

Product Features

- Wide range of system current ratings
- Primary Current ratings 100A to 5000A
- VA ratings available from 1VA to 20VA
- Metallic foot or wall mounting
- Class 5P5, 5P10
- Secondary Current ratings 5A & 1A
- ALF value : 5, 10
- Transparent terminal cover provides IP 20 Protection to terminals



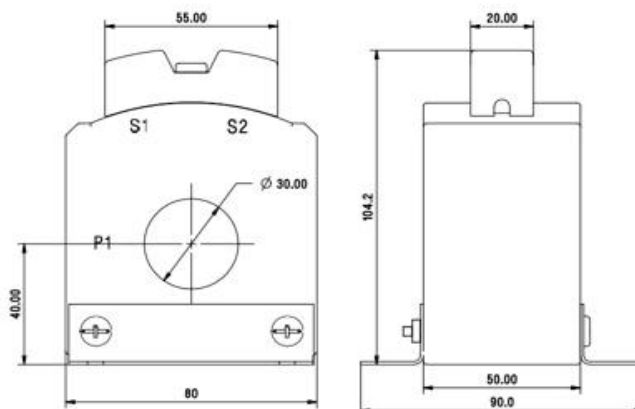
General Specification

Applicable standard :-	IEC 61869-1 & 2
Case :-	Epoxy Resin Cast
Insulation class :-	E (120°C max)
Test voltage :-	3KV 50/60 Hz for 1 minute.
Operating frequency :-	50/60Hz
Rated Primary current :-	100A to 5000A
Rated secondary current :-	5A, 1A
Continuous current :-	1.2X Rated current
Rated system voltage :-	720V
Operating temperature range:-	-20 to +45°C
Storage temperature range:-	-50 to +80°C
Accuracy Class	5P5, 5P10
Rated dynamic current (I_{dyn})	2.5 I_{th}
Rated short time thermal current I_{th}	60 X I_n for 1 sec (max.40kA for 1 sec)
Rated insulation level	0.72/3KV

RESIN CAST METERING/PROTECTION CT

CURRENT TRANSFORMER

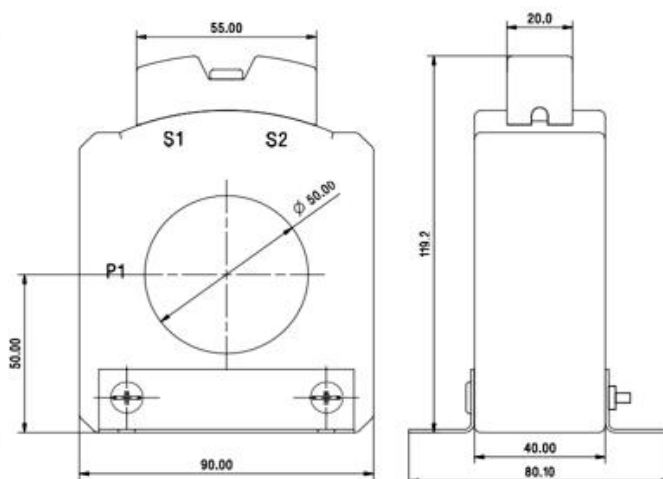
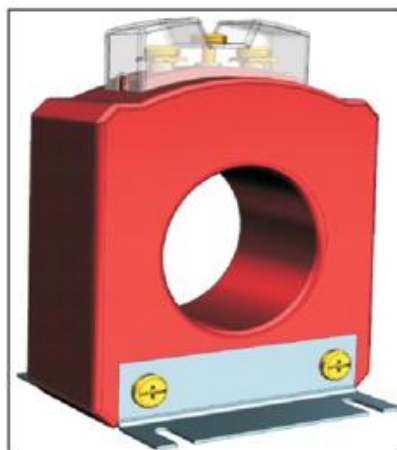
ZRC 8.30D SERIES



ZRC 8.30D (80/30 (50))

Secondary 5A			Secondary 1A		
Primary Current	VA	CLASS	Primary Current	VA	CLASS
100/5	1.5	5P5	100/1	1.5	5P5
125/5	1.5	5P5	125/1	1.5	5P5
150/5	1	5P10	150/1	1	5P10
160/5	1	5P10	160/1	1.25	5P10

ZRC 9.50B SERIES



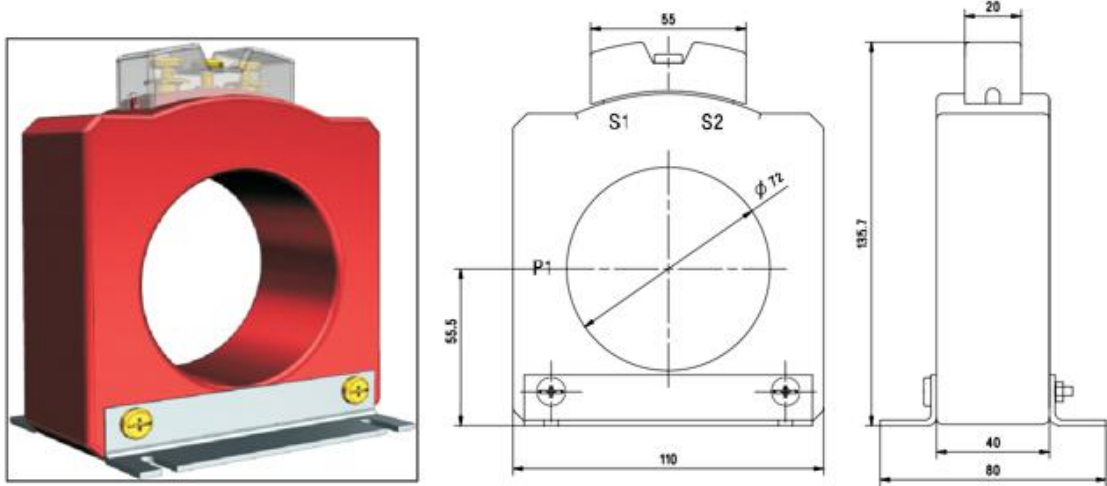
ZRC 9.50B (90/50 (40))

Secondary 5A			Secondary 1A		
Primary Current	VA	CLASS	Primary Current	VA	CLASS
200/5	1.25	5P5	200/1	1.5	5P5
250/5	1.5	5P5	250/1	2.5	5P5
300/5	1.5	5P5	300/1	1	5P10
320/5	1.5	5P5	320/1	1	5P10

ZRC 11.72B SERIES

RESIN CAST METERING/PROTECTION CT

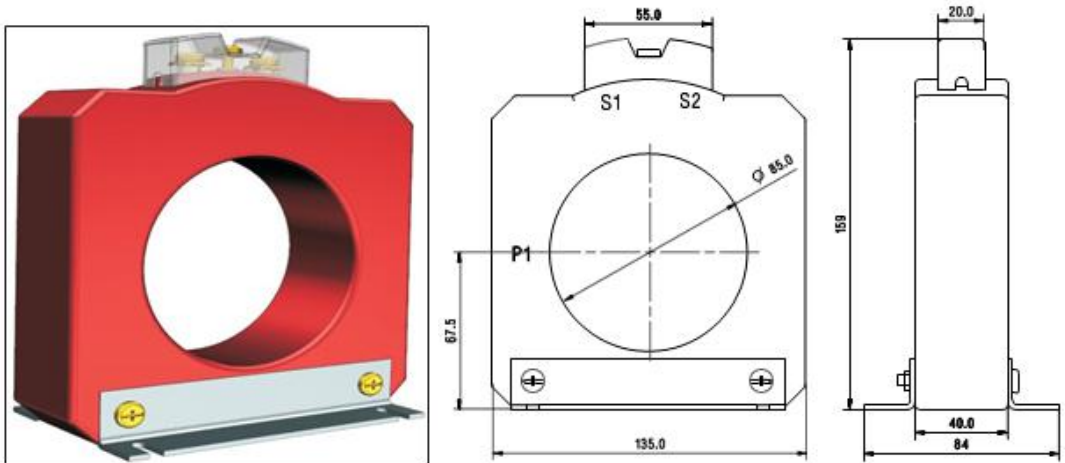
CURRENT TRANSFORMER



ZRC 11.72B (110/72 (40))

Secondary 5A			Secondary 1A		
Primary Current	VA	CLASS	Primary Current	VA	CLASS
400/5	1	5P5	400/1	1	5P5
500/5	1	5P5	500/1	1.5	5P5
600/5	1.5	5P5	600/1	1.75	5P5
630/5	1.5	5P5	630/1	1.75	5P5

ZRC 13.85B SERIES



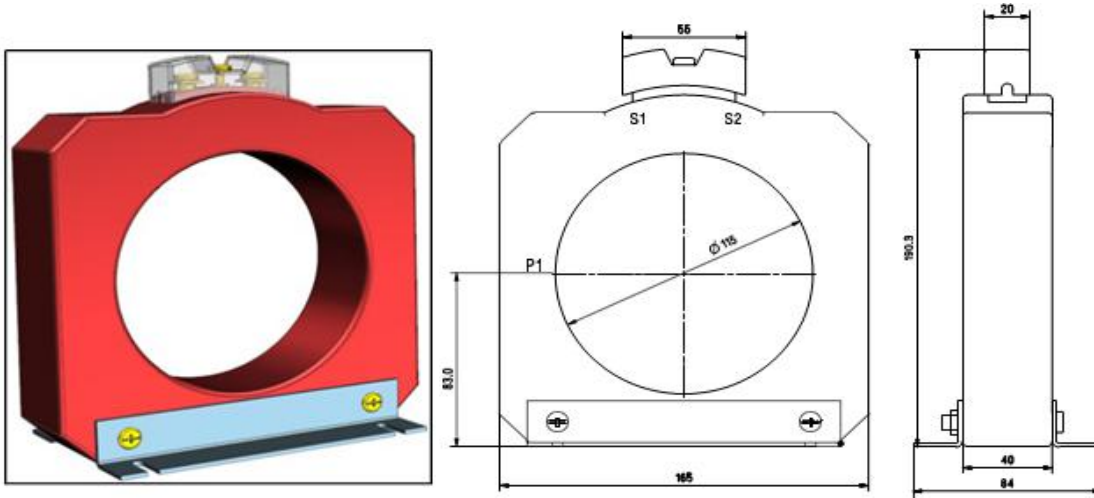
ZRC 13.85B (135/85 (40))

Secondary 5A			Secondary 1A		
Primary Current	VA	CLASS	Primary Current	VA	CLASS
800/5	2.5	5P5	800/1	1.75	5P10
1000/5	3.75	5P5	1000/1	1.75	5P10
1200/5	5	5P5	1200/1	2.5	5P10
1250/5	5	5P5	1250/1	2.5	5P10

RESIN CAST METERING/PROTECTION CT

CURRENT TRANSFORMER

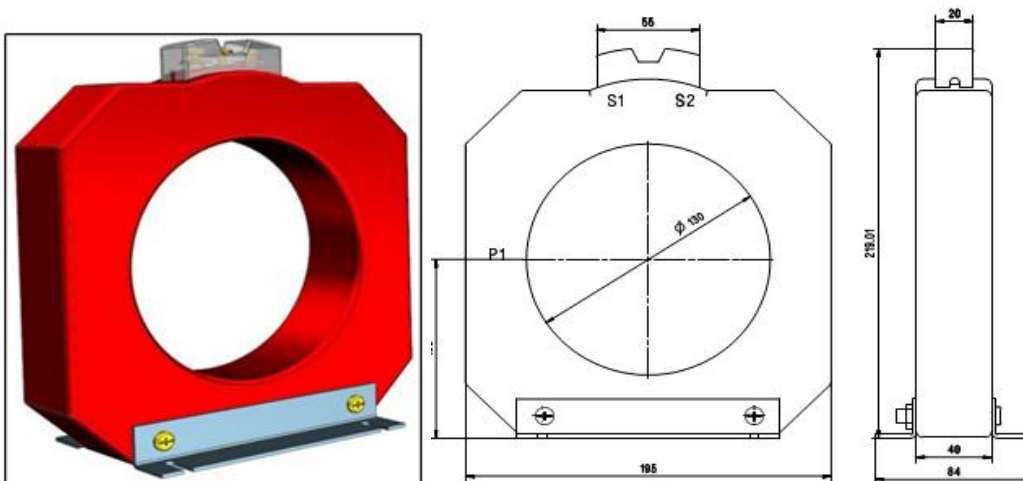
ZRC 16.11B SERIES



ZRC 16.11B (165/115 (40))

Secondary 5A			Secondary 1A		
Primary Current	VA	CLASS	Primary Current	VA	CLASS
1250/5	2.5	5P5	1250/1	1.75	5P10
1500/5	3.75	5P5	1500/1	2.5	5P10
1600/5	5	5P5	1600/1	2.5	5P10
2000/5	6.25	5P5	2000/1	2.5	5P10

ZRC 19.13 B SERIES



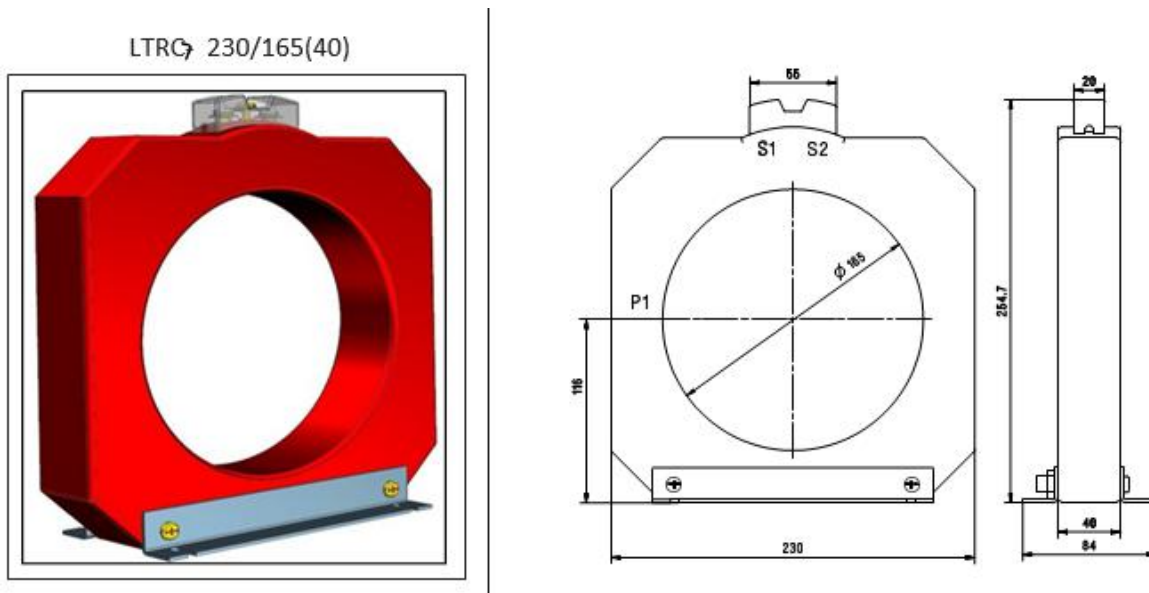
ZRC 19.13B (195/130 (40))

Secondary 5A			Secondary 1A		
Primary Current	VA	CLASS	Primary Current	VA	CLASS
2500/5	3.75	5P10	2500/1	5	5P10
3000/5	3.75	5P10	3000/1	6.25	5P10
3200/5	3.75	5P10	3200/1	7.5	5P10

RESIN CAST METERING/PROTECTION CT

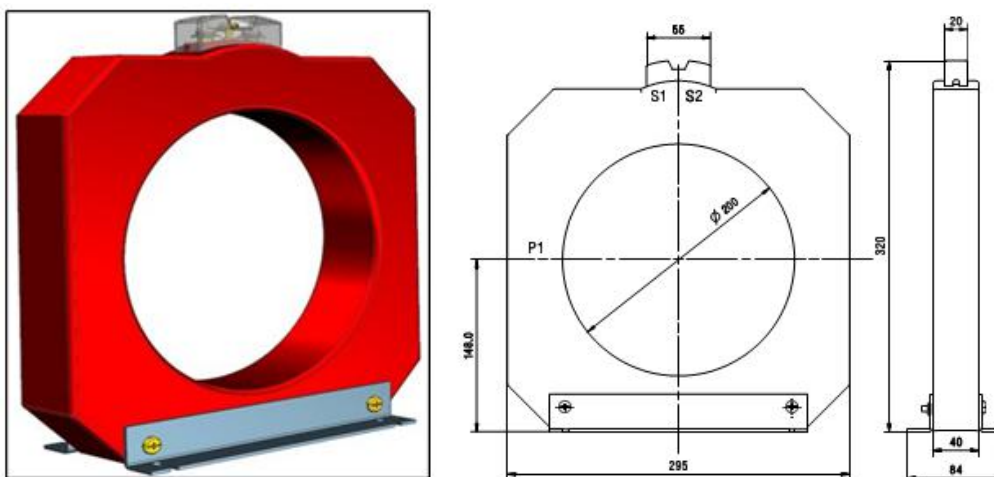
CURRENT TRANSFORMER

ZRC 23.16 B SERIES



ZRC 23.16B (230/165 (40))					
Secondary 5A			Secondary 1A		
Primary Current	VA	CLASS	Primary Current	VA	CLASS
3000/5	3.75	5P10	3000/1	5	5P10
3200/5	3.75	5P10	3200/1	5	5P10

ZRC 29.20 B SERIES



ZRC 29.20B (295/200 (40))					
Secondary 5A			Secondary 1A		
Primary Current	VA	CLASS	Primary Current	VA	CLASS
4000/5	10	5P10	4000/1	15	5P10
5000/5	10	5P10	5000/1	20	5P10

RESIN CAST METERING/PROTECTION CT

CURRENT TRANSFORMER

ORDERING INFORMATION

XRCX	XX	X	XX	X	X	XX	XXXX
80/30 (50) - XRC1 90/50 (40) - XRC2 110/72 (40) - XRC3 135/85 (40) - XRC4 165/115 (40) - XRC5							
Primary current 100A.. 5000A	01			3/4			
Secondary 1A or 5A		1/5					
Burden 1VA..... 20VA			01				
Accuracy Class 5P5/5P10							
Company code Ziegler Other					G B		
Customer Specifications						00	
Reserved							0000

Sr. No.	Ordering code	Description
1	XRC1-221043G000000	RC CT 80/30/50 60/1A 1.5VA CL 5P5
2	XRC3-071034G000000	RC CT 110/72/41 400/1A 15VA CL 5P10

Ziegler

Redefine Innovative Metering

Ziegler Instrumentation UK Ltd.

Central Buildings, Woodland close old woods Trading Estate, Torquay Devon, TQ2 7BB, United Kingdom
+441803 616 800 | info@ziegler-instrument.com | ziegler-instrument.com