

Technical Datasheet

SAXON SERIES ANALOG METER

ANALOG PANEL METER

SAXON SERIES ANALOG METER

ANALOG PANEL METER

SAXON SERIES

The SAXON Analog Series 012 and 013 meters are Designed for the measurement of current, voltage and frequency in distribution segment. Their rugged designed suits demanding in environmental applications with ANSI-C391 standard compliance . This meters can withstands high level of shock, vibration, dirt and humidity type environmental conditions.

Product Features

- Available in 2 sizes 2^{1/2} and 3^{1/2} inches
- Dust and water jet protection with IP54 front plate
- Complies with international standards
- Withstands high levels of shock, vibration, direct and humidity
- Instruments comply with EN61010-1 and meets IEC414 Dielectric Test

For Elapsed Time Meter and Frequency Meter

Voltage : 100/125V, 200/250V
Frequency : 45Hz or 55Hz, 55Hz or 65Hz, 44Hz or 65Hz
Burden : 4VA Maximum

Moving Iron AC Ammeters and Voltmeters

Accuracy class : 4VA Maximum

Rating

Ammeters : 1 to 60A
Voltmeters : 10V to 750V

Overload

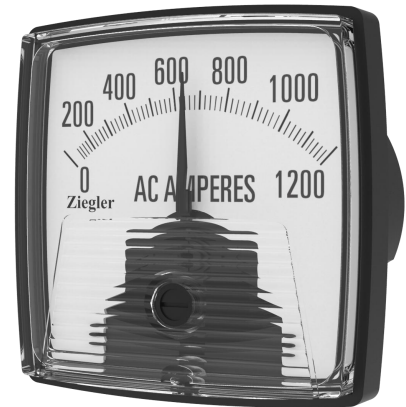
Ammeters : x 1.2 for 2 hours
 x 10 for 5 seconds
Voltmeters : x 1.2 for 2 hours
 x 10 for 5 seconds

Moving Coil DC Ammeters and Voltmeters

Accuracy Class : 1.5

Rating

Ammeters : 10mA to 30A
Voltmeters : 50mV to 600V



Specifications:

A.C Ammeters - Trues RMS Reading	
RATING	SCALING
5A	0-5A
10A	0-10A
15A	0-15A
20A	0-20A
30A	0-30A
60A	0-60A
1A	Transformer Rated
5A	Transformer Rated

SAXON SERIES ANALOG METER

ANALOG PANEL METER

A.C Voltmeters - Trues RMS Reading	
150V	0-150V
300V	0-300V
600V	0-600V
750V	Transformer Rated
D.C Ammeters - Reading	
1mA	**
5mA	0-5mA
10mA	0-10mA
20mA	0-20mA
50mA	0-50mA
100mA	0-100mA
200mA	0-200mA
500mA	0-500mA
600mA	0-600mA
1A	0-1A
2A	0-2A
4A	0-4A
5A	0-5A
6A	0-6A
10A	0-10A
20A	0-20A
30A	0-30A
Mili-Ammeters - Suppressed Zero	
4-20mA	**
D.C Voltmeters - (Sensitivity 1000W/Volt)	
50mV	**
100mV	**
15V	0-15V
30V	0-30V
50V	0-50V
150V	0-150V
300V	0-300V
600V	0-600V
Frequency Meters, 120V (Self Contained)	
Centre Freq.	Scale
50Hz	45-55Hz
55Hz	45-65Hz
60Hz	55-65Hz
400Hz	360-400Hz

SAXON SERIES ANALOG METER

ANALOG PANEL METER

Applicable standards	
Nominal case & cutout dimensions for indicating electrical instruments	DIN 43700
Connections and terminal markings for panel meters	DIN 43807
Scale and Pointer	DIN 43802
Terminal bolts / leads	DIN 46200/46282
Performance Specification	IEC/EN 60051
Safety requirements and protective measures for Electrical indicating instruments and their accessories	DIN ,40050/8-70, VDE 0110/ 11-72,VDE 0410/ 10-76 IEC 60529, IEC 61010
Environmental conditions	VDE/VDI 3540
Clamps Straps for connections	DIN 46282
Front frames for indicating measuring instruments principle dimensions	DIN 43718
UL Combustibility class	UL94 V-0
EMC Compliance as per following	EN 50081-2, EN 50082-2,N 55011/CISPR 11, EN 60555-2, IEC 555-2 EN 61000-4-4/IEC 1000-4-4, EN61000-4-2/IEC 1000-4-2, EN 61000-4-5/IEC 1000-4-5, ENV 50140
European directives (EMC Directive) 73/23/EEC (Low Voltage directive) and amendment 93/68/EEC, for CE mark	89/336/EEC
Mechanical Strength	IEC 51 VDE 0411,Part1 sec. 43/44, IEC 61010

Options	
Blank Dial	Marked initial and end values
Additional Lettering	To be specified e.g." Generator"
Additional figuring	To be specified
Coloured marks	Red, green or blue for important scale values
Coloured sector	Red, green or blue with in scale division
Logo on the dial	Non or to be specified
Overload scaling EQ 35	No overload range

Accessories

Safety Terminal Protection

Full sized polycarbonate back cover to provide protection against accidental contact (hand and fingers) acc to VDE 0410.

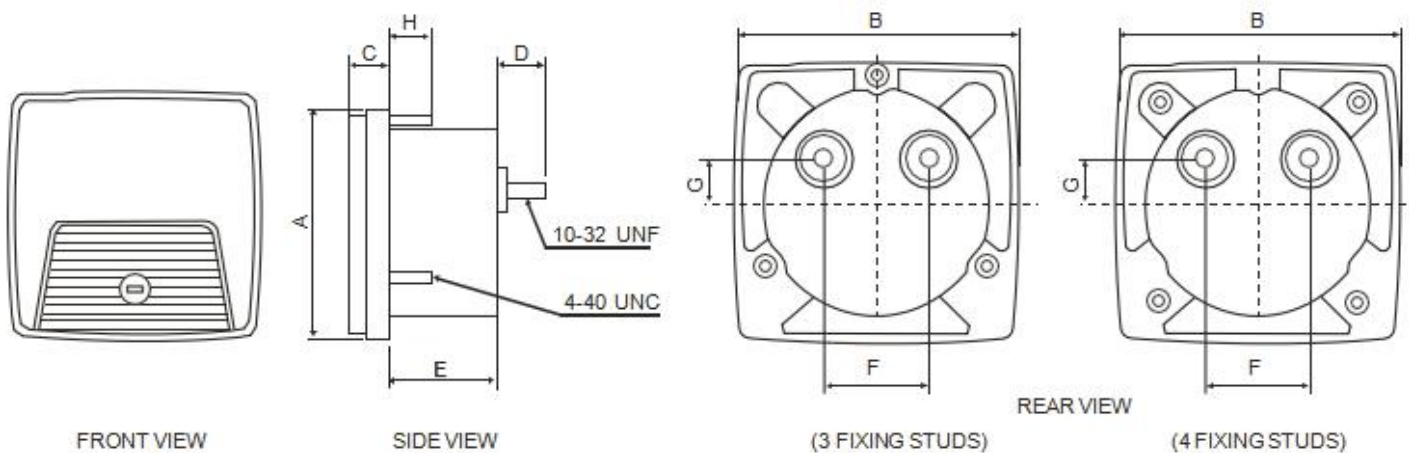
SAXON SERIES ANALOG METER

ANALOG PANEL METER

Safety Precautions

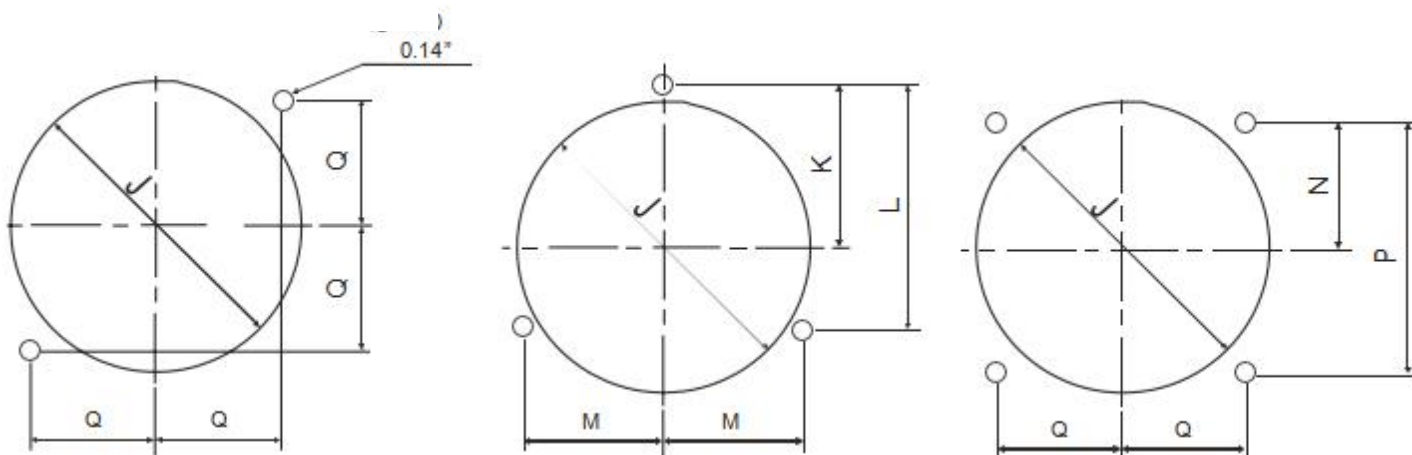
- 1) Instruments with damaged bezels or window glasses must be disconnected from the mains.
- 2) Adequate safety clearance must be maintained to control panel fasteners and to sheet metal housing. If non-insulated connector wires are used.
- 3) The back cover must be snapped into place after connection wires have been clamped for protection against accidental contact.
- 4) Scales should be replaced under voltage-free conditions.
- 5) Bezels and window glasses may only be replaced under voltage-free conditions.

Dimensions:



Type		A	B	C	D	E	F	G	H	J	K	L	M	N	P	Q
012	2 ½ mm	68.6	68.6	11.8	14.6	32.0	25.4	10.4	12.7	55.9	31	46.5	26.9	23.9	47.8	23.9
	Inch	2.70	2.70	0.46	0.57	1.26	1.00	0.41	0.50	2.20	1.22	1.83	1.06	0.94	1.88	0.94
013	3 ½ mm	88.9	88.9	11.8	14.6	36.0	25.4	10.4	12.7	69.9	40.2	60.3	34.8	28.5	57.0	28.5
	Inch	3.5	3.5	0.46	0.57	1.42	1.00	0.41	0.50	20.75	1.58	2.37	1.37	1.12	2.24	1.12

Panel Cut-Out



Ziegler

Redefine Innovative Metering

Ziegler Instrumentation UK Ltd.

Central Buildings, Woodland close old woods Trading Estate, Torquay Devon, TQ2 7BB, United Kingdom
+441803 616 800 | info@ziegler-instrument.com | ziegler-instrument.com