

Ziegler

Redefine Innovative Metering

Technical Datasheet

ZIEGLER TW SERIES

CURRENT TRANSFORMER

Ziegler Round Type Metering Series

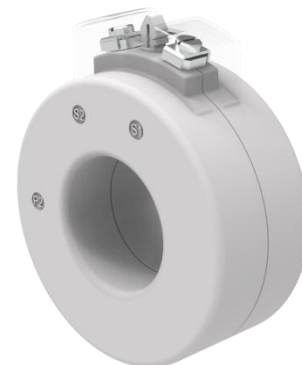
CURRENT TRANSFORMER

ZIEGLER ZIR Series

Round type CTs come with two types ZIR & ZIR-E, Clamp Screw Termination and extended wires type. These are designed to measure currents from 50A to 3200A (ZIR Series) to 5000A (ZIR-E Series). Ziegler Round CTs come with bus bar mounting kit and wall mounting frame is an optional accessory.

Product Features

- Wide range of system current ratings
- Primary Current ratings 50A to 3200A
- VA ratings available from 1VA to 45VA
- Mounting options : Wall mounting (option), Bus bar mounting .
- Available in 12 different sizes : Class 0.2, 0.5s, 0.5, 1
- Secondary Current ratings 5A & 1A
- ISF value : 5, 10.
- Transparent terminal cover for ZIR Series provides IP 20 Protection to
- terminals.



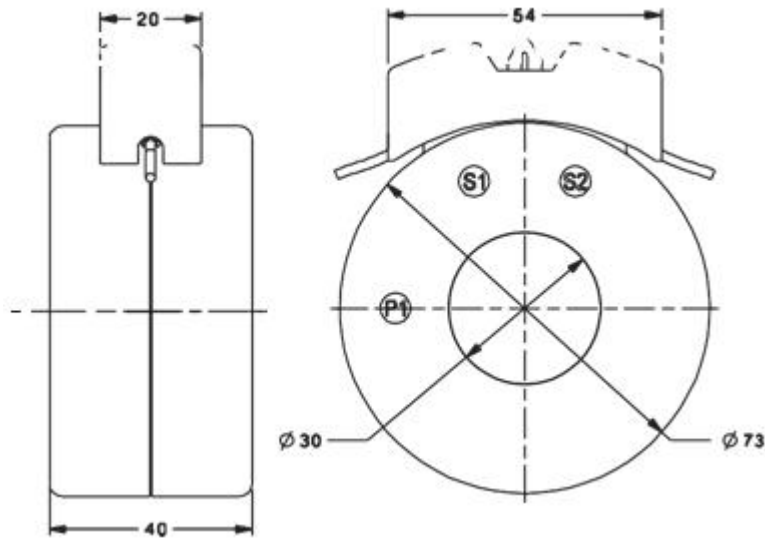
General Specification

Applicable standard :-	IEC 61869-1 & 2
Case :-	10% Glass Field polycarbonate, flame retardant grades classified UL 94V-0
Insulation class :-	E (120°C max)
Test voltage :-	For Ring (Window) type CT : 4KV 50 Hz for 1 min
Operating frequency :-	50Hz/60Hz
Rated Primary current :-	50A to 3200A
Rated secondary current :-	5A,1A
Burden :-	1VA to 45VA
Continuous current :-	1.2X Rated current
Rated system voltage :-	0.72/3KV
Operating temperature range:-	-20 to +45°C
Storage temperature range:-	-50 to +80°C
Accuracy Class	0.2,0.5s,0.5,1
Thermal short circuit current (I_{th}):-	$60xI_n$ for Wound type CT and $60xI_n$ for Bus Bar type CT
Dynamic short circuit current (I_{dyn}):-	$2.5xI_{th}$
Instrument security factor (FS): -	2.5, 5, 10

Ziegler Round Type Metering Series

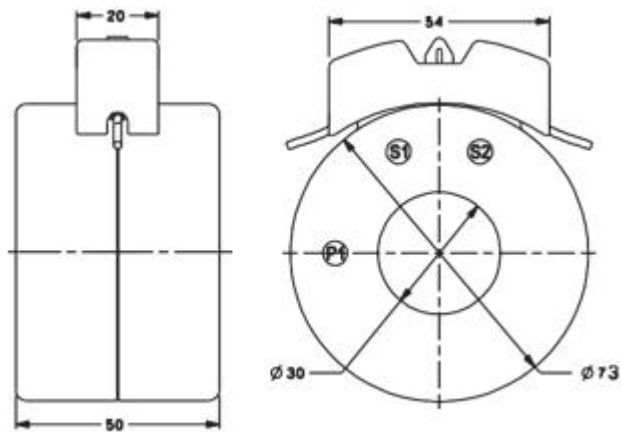
CURRENT TRANSFORMER

ZIR 7.30B



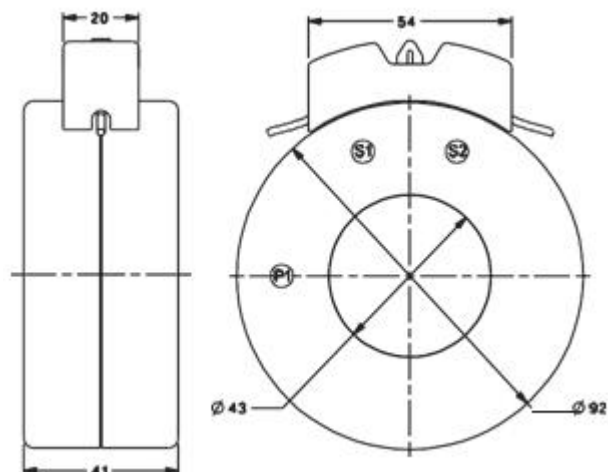
Primary Current	ZIR 7.30B (73/30(40))	
	Accuracy	
	0.5	1.0
50A	-	1.5VA
60A	-	1.5VA
75A	-	1.5VA
100A	1.5VA	2.5VA
120A	1.5VA	2.5VA
125A	2.5VA	3.75VA
150A	2.5VA	5VA
200A	5VA	10VA

ZIR 7.30D



Primary Current	ZIR 7.30 (73/30(50))			
	Accuracy			
	0.2	0.5S	0.5	1.0
50A	-	-	-	1.5VA
60A	-	-	-	1.5VA
75A	-	-	1.5VA	2.5VA
100A	-	-	2.5VA	5VA
120A	-	-	2.5VA	5VA
125A	-	-	2.5VA	5VA
150A	-	2.5VA	5VA	10VA
200A	2.5VA	5VA	10VA	15VA

ZIR 9.43B

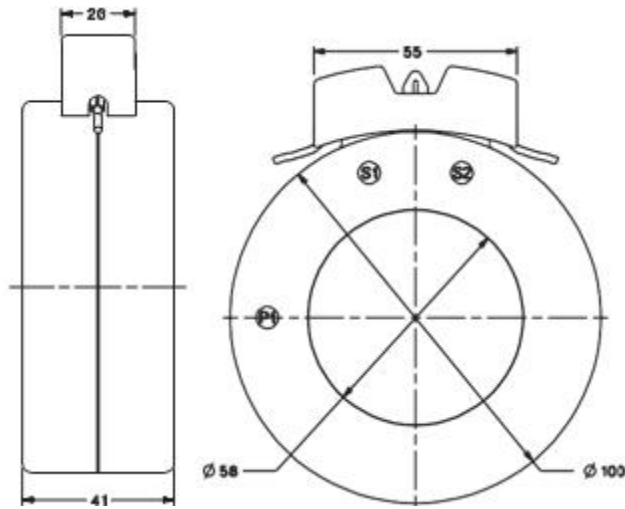


Primary Current	ZIR 9.43B (92/43(41))			
	Accuracy			
	0.2	0.5S	0.5	1.0
75A	-	-	-	1VA
80A	-	-	-	1.5VA
100A	-	-	1VA	2.5VA
120A	-	-	1VA	2.5VA
125A	-	-	1VA	2.5VA
150A	-	-	1.5VA	3.75VA
200A	1.5VA	5VA	5VA	10VA
250A	2.5VA	7.5VA	7.5VA	15VA
300A	3.75VA	10VA	10VA	20VA

Ziegler Round Type Metering Series

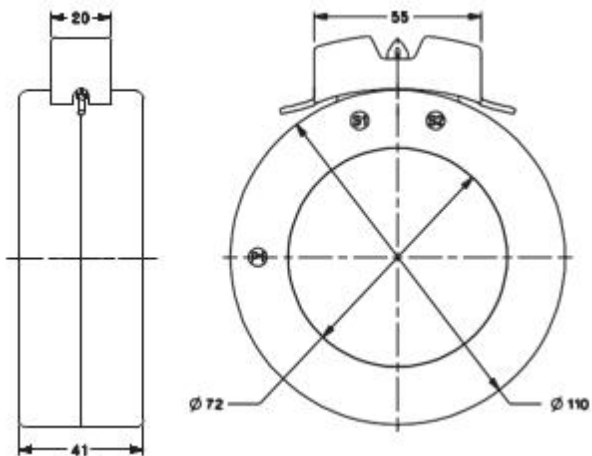
CURRENT TRANSFORMER

ZIR 10.58B



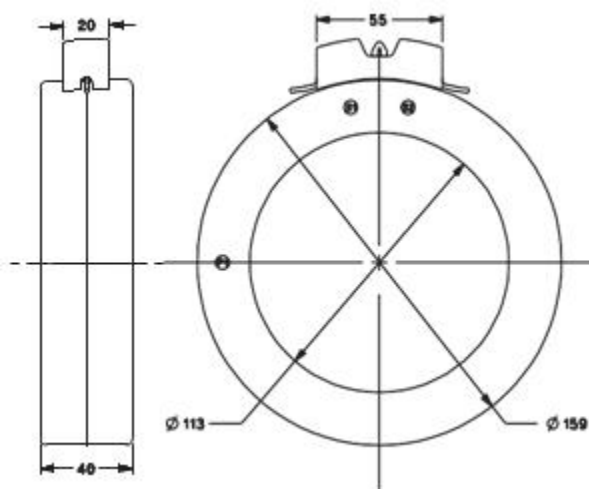
Primary Current	ZIR 10.58B (100/58(41))			
	Accuracy			
	0.2	0.5S	0.5	1.0
120A	-	-	-	1VA
125A	-	-	-	1.5VA
150A	-	-	1VA	2.5VA
200A	-	1.5VA	2.5VA	5VA
250A	-	2.5VA	3.75VA	7.5VA
300A	-	3.75VA	5VA	10VA
400A	5VA	7.5VA	10VA	20VA
500A	7.5VA	10VA	15VA	25VA
600A	10VA	15VA	15VA	25VA

ZIR 11.72B



Primary Current	ZIR 11.72B (110/73(41))			
	Accuracy			
	0.2	0.5S	0.5	1.0
200A	-	-	-	1.5VA
250A	-	-	1.5VA	2.5VA
300A	-	-	2.5VA	5VA
400A	2.5VA	5VA	7.5VA	12.5VA
500A	3.75VA	7.5VA	10VA	15VA
600A	5VA	7.5VA	10VA	15VA
800A	10VA	15VA	15VA	30VA
1000A	10VA	15VA	15VA	30VA

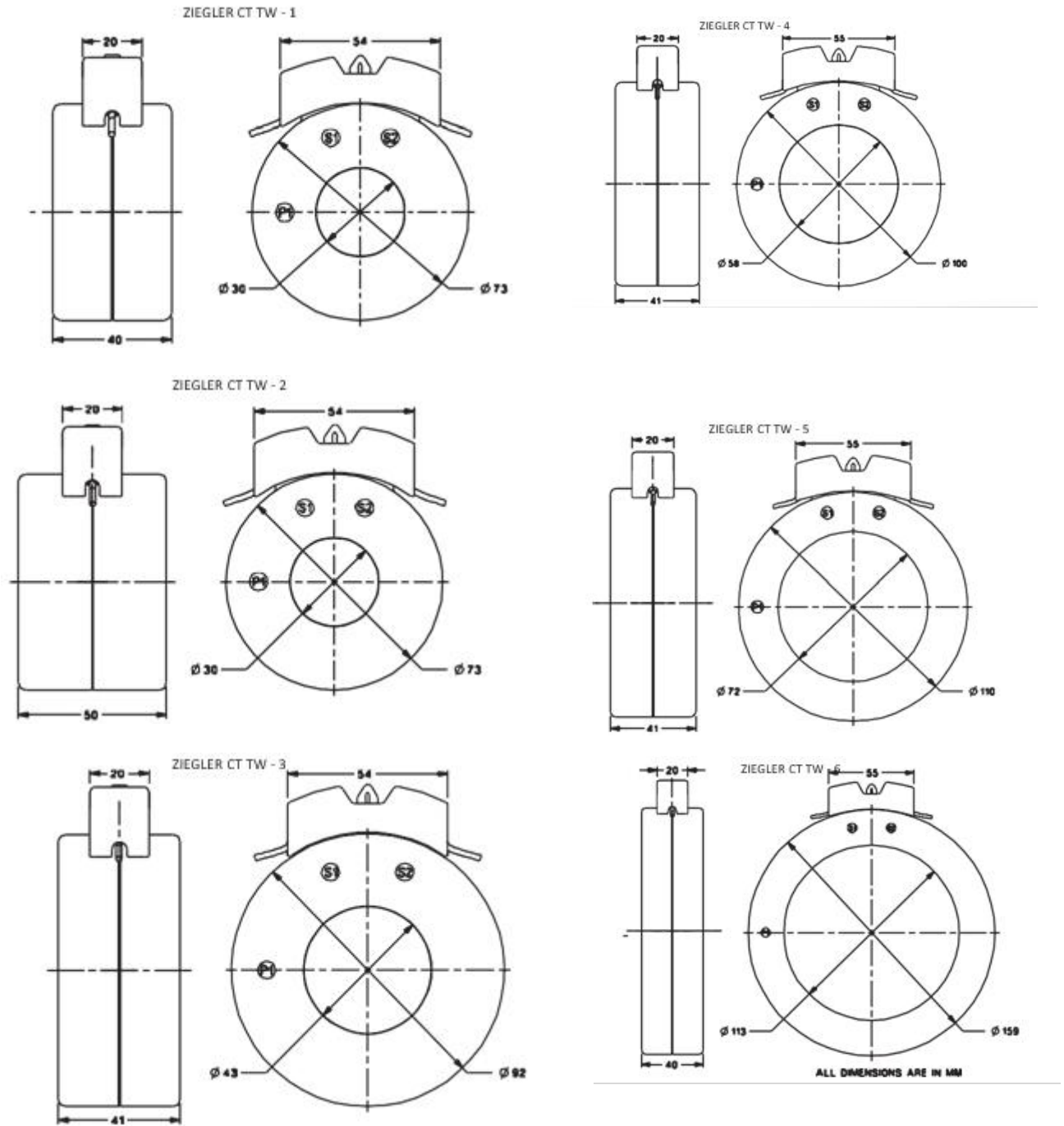
ZIR 15.11B



Primary Current	ZIR 15.11B(159/113(40))			
	Accuracy			
	0.2	0.5S	0.5	1.0
600A	1.5VA	3.75VA	5VA	10VA
800A	2.5VA	7.5VA	10VA	15VA
1000A	3.75VA	7.5VA	10VA	15VA
1200A	15VA	15VA	20VA	30VA
1250A	15VA	15VA	20VA	30VA
1500A	15VA	15VA	20VA	30VA
1600A	15VA	15VA	20VA	30VA
2000A	15VA	20VA	25VA	45VA
2500A	15VA	20VA	25VA	45VA
3000A	15VA	25VA	30VA	45VA
3200A	15VA	25VA	30VA	45VA

Ziegler Round Type Metering Series

CURRENT TRANSFORMER



Primary Current	ZIEGLER CT TW-1		ZIEGLER CT TW-2				ZIEGLER CT TW-3			
	Accuracy		Accuracy				Accuracy			
	0.5	1.0	0.2	0.5S	0.5	1.0	0.2	0.5S	0.5	1.0
50A	-	1.5VA	-	-	-	1.5VA	-	-	-	-
60A	-	1.5VA	-	-	-	1.5VA	-	-	-	-
75A	-	1.5VA	-	-	1.5VA	2.5VA	-	-	-	1VA
80A	-	-	-	-	-	-	-	-	-	1.5VA
100A	1.5VA	2.5VA	-	-	2.5VA	5VA	-	-	1VA	2.5VA
120A	1.5VA	2.5VA	-	-	2.5VA	5VA	-	-	1VA	2.5VA
125A	2.5VA	3.75VA	-	-	2.5VA	5VA	-	-	1VA	2.5VA
150A	2.5VA	5VA	-	2.5VA	5VA	10VA	-	-	1.5VA	3.75VA
200A	5VA	10VA	2.5VA	5VA	10VA	15VA	1.5VA	5VA	5VA	10VA
250A	-	-	-	-	-	-	2.5VA	7.5VA	7.5VA	15VA
300A	-	-	-	-	-	-	3.75VA	10VA	10VA	20VA

Ziegler Round Type Metering Series

CURRENT TRANSFORMER

Primary Current	ZIEGLER CT TW-4				ZIEGLER CT TW-5				ZIEGLER CT TW-6			
	Accuracy				Accuracy				Accuracy			
	0.2	0.5S	0.5	1.0	0.2	0.5S	0.5	1.0	0.2	0.5S	0.5	1.0
100A	-	-	-	-	-	-	-	-	-	-	-	-
120A	-	-	-	1VA	-	-	-	-	-	-	-	-
125A	-	-	-	1.5VA	-	-	-	-	-	-	-	-
150A	-	-	1VA	2.5VA	-	-	-	-	-	-	-	-
200A	-	1.5VA	2.5VA	5VA	-	-	-	1.5VA	-	-	-	-
250A	-	2.5VA	3.75VA	7.5VA	-	-	1.5VA	2.5VA	-	-	-	-
300A	-	3.75VA	5VA	10VA	-	-	2.5VA	5VA	-	-	-	-
400A	5VA	7.5VA	10VA	20VA	2.5VA	5VA	7.5VA	12.5VA	-	-	-	-
500A	7.5VA	10VA	15VA	25VA	3.75VA	7.5VA	10VA	15VA	-	-	-	-
600A	10VA	15VA	15VA	25VA	5VA	7.5VA	10VA	15VA	1.5VA	3.75VA	5VA	10VA
800A	-	-	-	-	10VA	15VA	15VA	30VA	2.5VA	7.5VA	10VA	15VA
1000A	-	-	-	-	10VA	15VA	15VA	30VA	3.75VA	7.5VA	10VA	15VA
1200A	-	-	-	-	-	-	-	-	15VA	15VA	20VA	30VA
1250A	-	-	-	-	-	-	-	-	15VA	15VA	20VA	30VA
1500A	-	-	-	-	-	-	-	-	15VA	15VA	20VA	30VA
1600A	-	-	-	-	-	-	-	-	15VA	15VA	20VA	30VA
2000A	-	-	-	-	-	-	-	-	15VA	20VA	25VA	45VA
2500A	-	-	-	-	-	-	-	-	15VA	20VA	25VA	45VA
3000A	-	-	-	-	-	-	-	-	15VA	25VA	30VA	45VA
3200A	-	-	-	-	-	-	-	-	15VA	25VA	30VA	45VA

Mounting Types



Ziegler

Redefine Innovative Metering

Ziegler Instrumentation UK Ltd.

Central Buildings, Woodland close old woods Trading Estate, Torquay Devon, TQ2 7BB, United Kingdom

+441803 616 800 | info@ziegler-instrument.com | ziegler-instrument.com